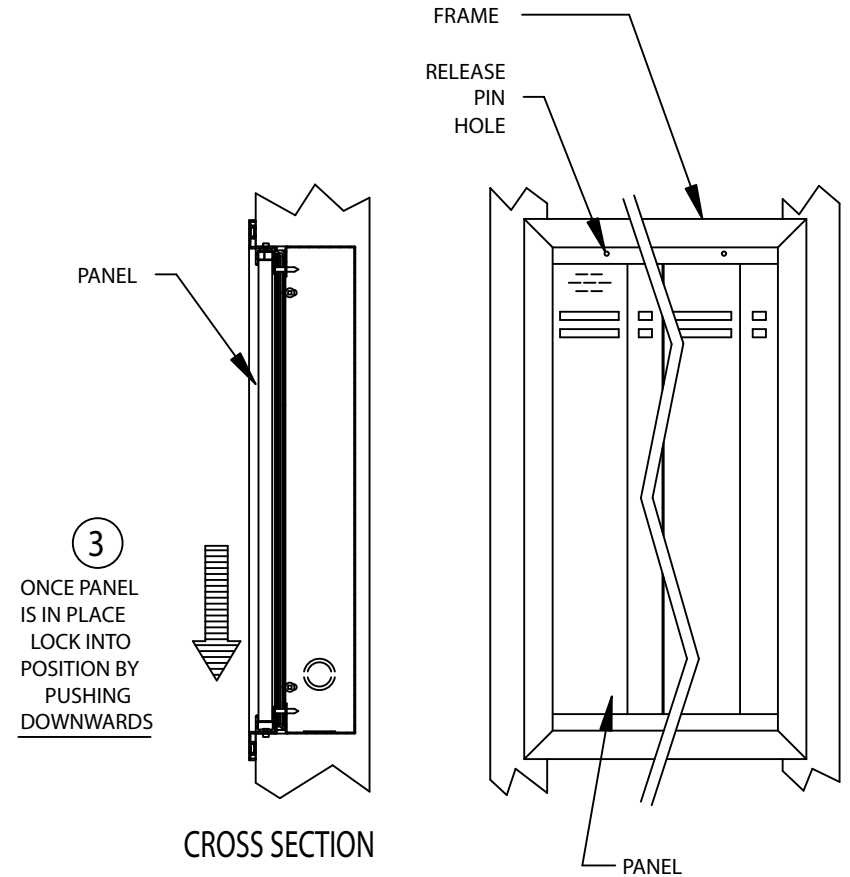
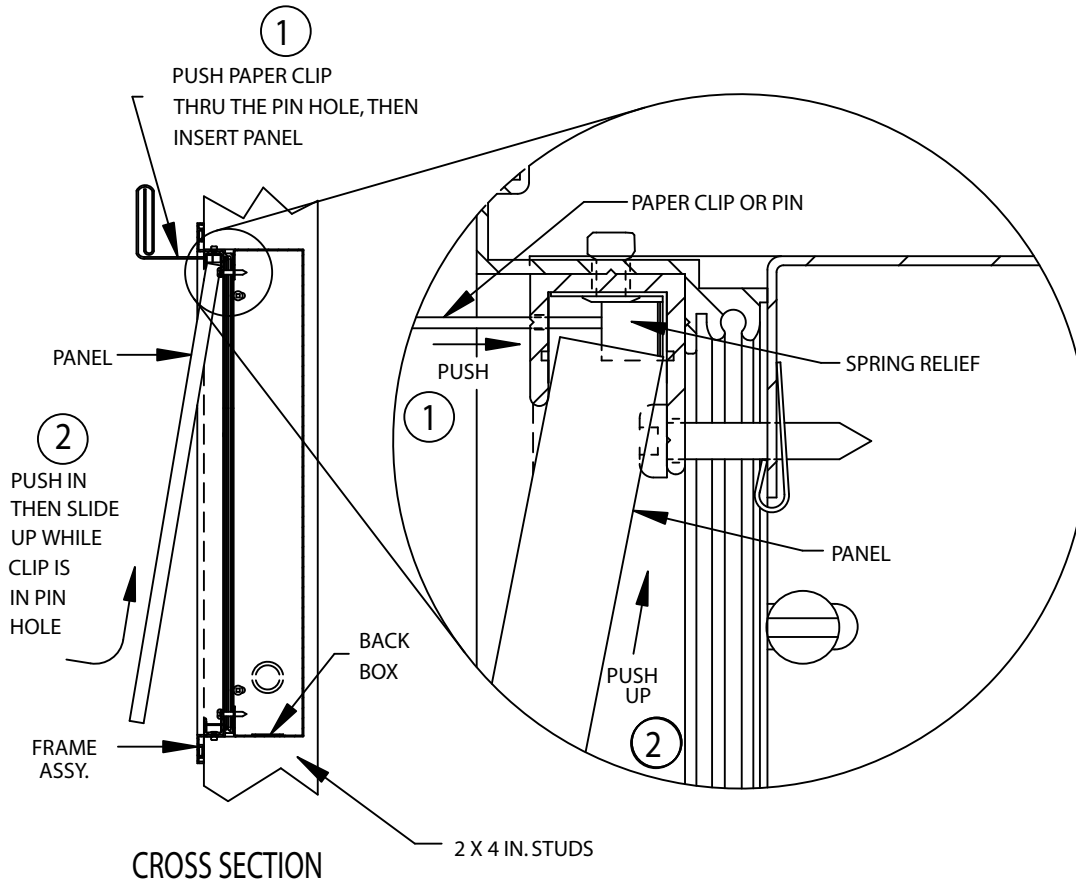


# FRONT PANEL REMOVAL AND REPLACEMENT



3  
ONCE PANEL IS IN PLACE LOCK INTO POSITION BY PUSHING DOWNWARDS

## NOTES

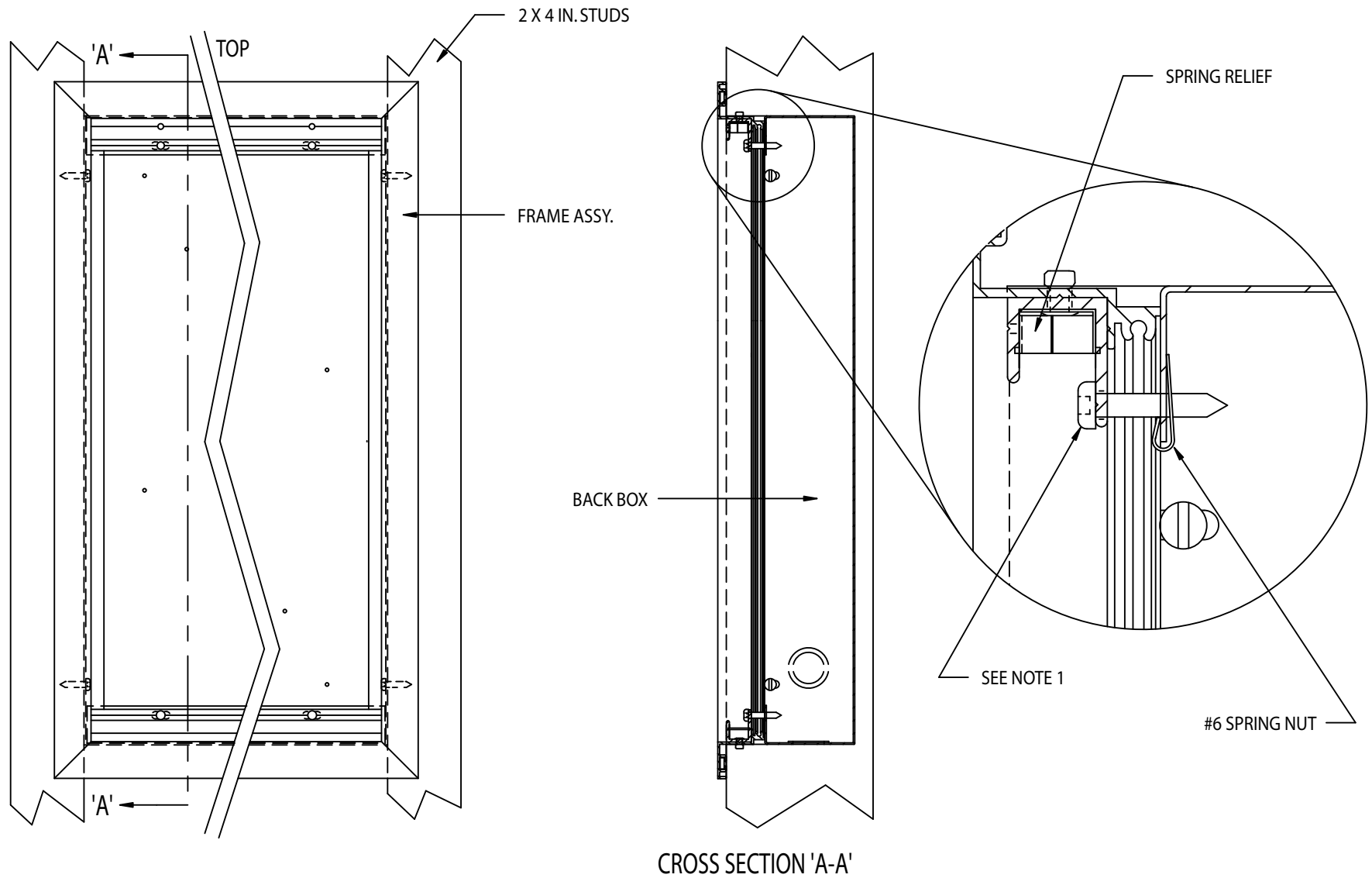
1. PANELS SHOWN ARE K-SERIES PANELS. ON A-SERIES PANELS, SWITCHES ARE ON LEFTHAND SIDE OF PANEL.
2. TO REMOVE PANEL, PUSH PAPER CLIP THRU RELEASE PIN HOLE AND PUSH UP PANEL THEN PULL OUT BOTTOM.
3. IMPORTANT: KEEP THIS INSTRUCTION SHEET ON FILE FOR FUTURE USE.



25 Interchange Way  
VAUGHAN, ONTARIO, CANADA L4K 5W3  
TEL:(905) 660-4655 FAX:(905) 660-4113  
www.mircom.com

60 Industrial Parkway  
Cheektowaga, New York, USA 14227  
TEL:(888) 660-4655 FAX:(888) 660-4113

# A/K-SERIES FRAME/BOX INSTALLATION



## NOTES

1. USE 5/8 IN. LONG, #6 TYPE AB SCREW TO SECURE FRAME ASSEMBLY AS SHOWN.
2. FRAME MAY BE MODEL KF-101, KF-102, KF-103, KF-104, KF-105, KF-106, KF-107, KF-108, KF-109, KF-110, AF-101, AF-102, AF-103, AF-104 OR AF-105.