



Features

- 25 & 70 volt line matching transformers
- High dBA output (over 90 dBA at 10 feet @ 2 watts)
- D.C. blocking capacitor for line supervision
- Multiple output taps. Selection for ½, 1, 2 or 4 watts
- Moisture resistant
- Fire retardant cone material
- Factory assembled and tested
- Each speaker is equipped with a ground wire
- Off white speaker baffle
- Round or square baffles

Description

Mircom's SP-Series 8" Speakers are designed for broadcasting high quality alert/alarm tone signals and are ideal for alarm signalling in hotels, malls, apartments and other areas where attractive appearance and dependable performance are prime concerns.

The SP-Series 8" Speakers consist of a loudspeaker, 6 oz. magnet, a low profile constant voltage line matching transformer, a D.C. blocking capacitor and an all steel speaker baffle finished in an off white colour. The 25 and 70 volt transformers are of the matching type and include output power taps of: ½, 1, 2 and 4 watt(s). The tap selection is accomplished by wiring into the appropriate slot on the speaker's terminal block.

The SP-Series speakers install easily using the surface or flush backboxes.

Mircom's fire alarm speakers are specially designed for high quality emergency fire alarm signals and voice communications. These units must be used with Mircom's QX-5000 Series Emergency Zoned Audio System or any voice alarm equipment approved by Underwriters Laboratories of Canada (ULC).



S5375

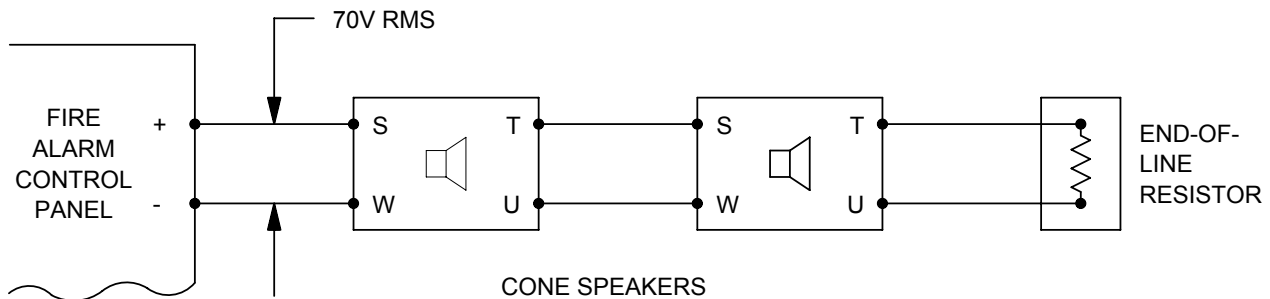
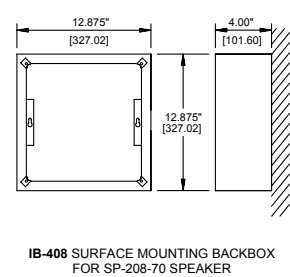
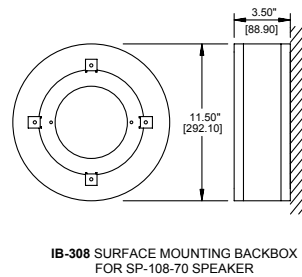
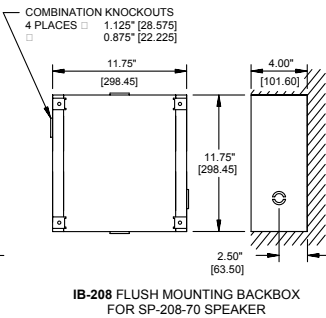
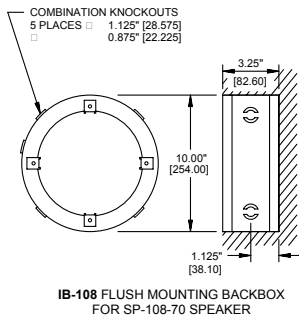
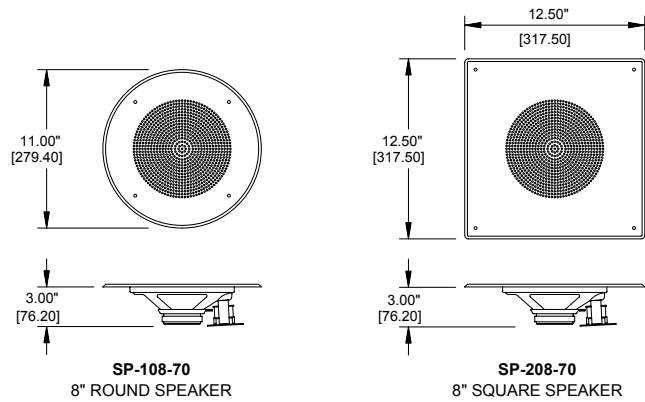
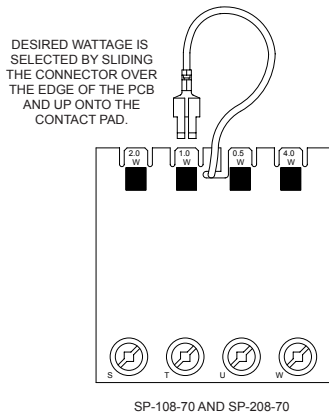
Speaker Specifications

| MODEL NUMBER | SPEAKER VOLTAGE | SPEAKER dBA 10 FT. | | | | MOUNTING CONFIGURATIONS | | BAFFLE SHAPE |
|--------------|-----------------|--------------------|--------|-------------|--------|-------------------------|---------|--------------|
| | | WATT TAP | | TYPICAL dBA | | FLUSH | SURFACE | |
| | | 1/2 WATT | 1 WATT | 2 WATT | 4 WATT | | | |
| SP-108-25 | 25 | 83 | 87 | 90 | 93 | IB-108 | N/A | ROUND |
| SP-108-70 | 70 | 83 | 87 | 90 | 93 | IB-108 | N/A | ROUND |
| SP-208-25 | 25 | 83 | 87 | 90 | 93 | IB-208 | IB-408 | SQUARE |
| SP-208-70 | 70 | 83 | 87 | 90 | 93 | IB-208 | IB-408 | SQUARE |

dBA is sound pressure measurement measured using the transformer tap shown at a distance of 10 feet (2.54 meters). This measurement is obtained using the ULC standard CAN/ULC-S541-M87.

NOTE: All Mircom enclosures are equipped with a ground screw hole. Each speaker unit is equipped with a ground wire.

Installation Instructions



NOT TO BE USED FOR INSTALLATION PURPOSES.



Canada
25 Interchange Way
Vaughan, Ontario L4K 5W3
Telephone: (905) 660-4655
Fax: (905) 660-4113

U.S.A.
4575 Witmer Industrial Estates
Niagara Falls, NY 14305
Toll Free: (888) 660-4655
Fax Toll Free: (888) 660-4113

Web page: <http://www.mircom.com> Email: mail@mircom.com

Distributed by:



CAT. 5701
Rev. 4