

In no event shall Mircom be liable for any direct, indirect or consequential damages, loss of anticipated profits, loss of time or any other losses incurred by the buyer in connection with the purchase, installation or operation or failure of this product.

**Important!**

Mircom recommends that the entire system be completely tested on a regular basis. However, despite frequent testing, and due to but not limited to criminal tampering or electrical disruption, it is possible for this product to fail to perform as expected.

# INSTALLATION INSTRUCTIONS



## RTI-265 Remote Trouble Unit

## RAM-265 Remote Trouble & Alarm Unit

The RTI-265 Remote Trouble Unit provides remote trouble annunciation for the FA-262/265 fire alarm control panels. The RAM-265 Remote Trouble and Alarm Unit provides remote trouble annunciation for the FA-262/265 series fire alarm control panels. A maximum of four RTI-265 and four RAM-265 units can be connected to each control panel.

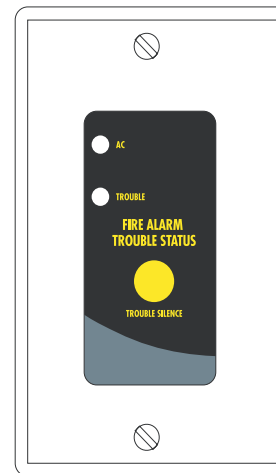
### SPECIFICATIONS

- Green AC ON indicator
- Yellow Common Trouble indicator
- Trouble Silence pushbutton
- Lamp Test function
- Communications: DAT & CLK from control panel
- Standby current: 15 mA
- Voltage: 24 VDC
- Up to 8 addressable units (4 of each type)
- Supervised
- Power: AUX & COM from control panel

**NOTE: This component must be included in the control panel battery calculation. Refer to the Standby Battery Calculation Sheet included with the control panel.**

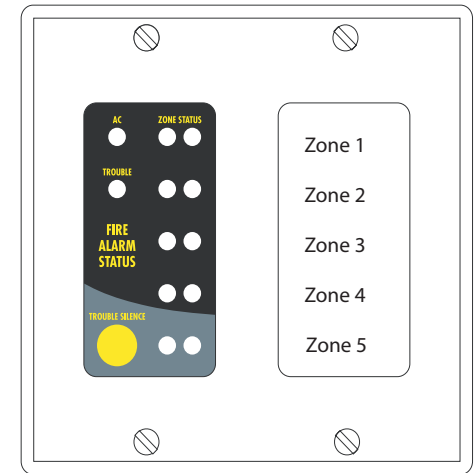


LT-2030MIR Rev. 1



### RTI-265

- Alarm current: 25 mA max.
- Single gang mounting
- 2 3/4 x 4 1/2" (70 mm x 115 mm)



### RAM-265

- Alarm current: 40 mA max.
- Double gang mounting
- 4 1/2 x 4 1/2" (115 mm x 115 mm)
- Alarm & Supervisory LED/Zone

**Canada**  
 25 Interchange Way  
 Vaughan, ON, L4K 5W3  
 Tel: (905) 695-3545  
 Fax: (905) 660-4113  
 www.mircom.com

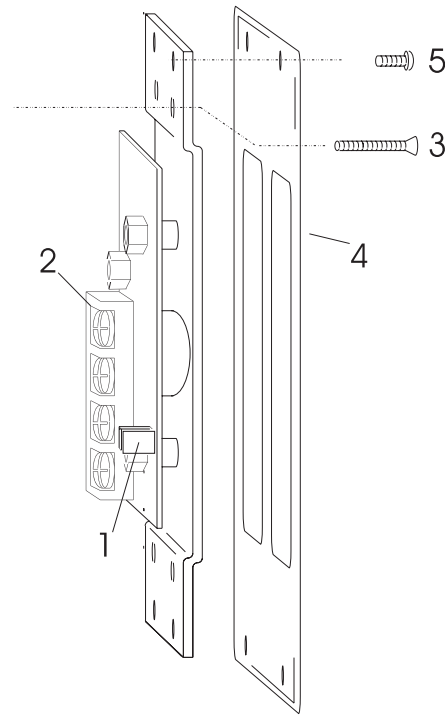
**USA**  
 60 Industrial Parkway PMB 278  
 Cheektowaga, NY, 14227  
 Tel: 1-888-MIRCOM5  
 Fax: 888-660-4113

## INSTALLATION

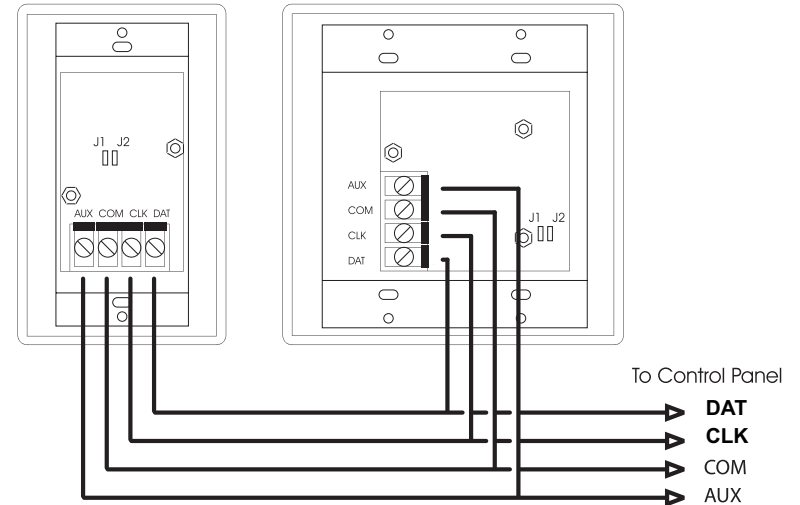
The RTI-265 module mounts in a single gang outlet box. The RAM-265 mounts in a double gang outlet box. Refer to Figures 1 & 2 and Tables 1 & 2.

1. Configure jumpers (item 1) for desired operating address.
2. Affix zone identification labels, if required, on the label aligned with the LED indicators (RAM-265 Only).
3. Route Secur-Bus™ wiring through the outlet box. Connect the 4 wires to the terminals (item 2) on the PC board.
4. Position the module in the outlet box and secure with the screws (item 3) provided (2 screws for the RTI-265, 4 screws for the RAM-265).
5. Secure the front panel (item 4) to module with the screws provided (item 5).

**Figure 1 Exploded View**



**Figure 2 Panel Rear View**



Typical wiring connections. Refer to the FA-262/265 Series Control Panel *Installation Manual* for Secur-Bus wiring details.

## OPERATION

The AC and Trouble LEDs on the remote units follow the control panel AC and Trouble LEDs. Pressing the Trouble Silence switch at the panel or at any remote unit will silence the trouble buzzer at the panel and all remote units.

Zone indicators on the remote units follow the zone indicators of the control panel. The red LED will operate if the panel zone is programmed for 'ALARM' and the yellow LED will operate if the panel zone is programmed for 'SUPERVISORY'.

The Lamp Test is initiated by pressing and holding the Trouble Silence pushbutton for 1/2 second. The LEDs will flash until the button is released.

**Table 1 Address Programming**

J1	J2	Address
OFF	OFF	1
ON	OFF	2
OFF	ON	3
ON	ON	4

**Table 2 Secur-Bus Wire Run Chart**

Current mA	18 AWG		16 AWG	
	Feet	Meters	Feet	Meters
15	6410	1954	10160	3098
30	3200	976	5080	1549
45	2135	651	3385	1032
60	1600	488	2540	774
75	1280	390	2030	619
90	1065	325	1690	515