



## Description

Mircom's low profile fire alarm speakers are designed to generate attention grabbing tones and voice commands for emergency signaling evacuation applications. These highly efficient low profile speakers are available with field selectable taps from ¼ - 2 watts. The low profile speakers are available in two input voltage models 25 Vrms and 70.7 Vrms. The SPS series speaker/strobe are designed with the new Select-A-Strobe. The strobe features a unique candela intensity field selector switch for switching the candela output from 15/75 to 30/120 cd. The strobe housing is clearly labelled with "FIRE" lettering and is polarized for connecting to supervised fire alarm circuits. The strobe is designed with a xenon flashtube and provides a candela intensity field selector switch for maximum performance.

The Strobe can be synchronized by using the SDM-240 sync module. The strobe signals are listed for indoor use, ceiling and wall mount.

The SPS-Series speaker-strobe install easily using the surface or flush backboxes.

## Features

- 25 & 70 Volt line matching transformers
- DC blocking capacitor for line supervision
- Output power taps of ½, 1, 2 and 4 watts
- Terminal block connection for speaker tap/output selection
- ULC listed for Wall or Ceiling mount
- Fire retardant cone material
- Strobe with two field selectable settings 15/75 or 30/120cd
- Polarized strobes with wide listed voltage ranges using filtered DC or unfiltered FWR input voltage
- Tamper-proof candela selector switch
- Strobe synchronization requires an SDM-240 Sync Module
- Round or square baffles
- Available in a white housing

## Specifications

The SPS-Series 8" Speaker-Strobes consist of a loudspeaker, 6 oz. magnet, a low profile constant voltage line matching transformer, a D.C. blocking capacitor and an all steel speaker baffle finished in an off white colour. The 25 and 70 volt transformers are of the matching type and include output power taps of: ½, 1, 2 and 4 watt(s). Tap selection is done using the speaker's terminal block. The speaker shall be approved for fire alarm signaling use.

The signaling strobe's candela output shall be field selectable, having a dual setting of 15/75 cd or 30/120 cd output. The signaling strobe shall operate on 24VDC from a non-coded regulated DC supply or full-wave rectified, unfiltered supply. The signaling strobe shall be designed to produce a signal flash of one flash per second with continuously applied minimum voltage. The SPS-Series speakers shall be capable of WALL or CEILING mounting.



## Output & Current Draw Table

SPEAKER	INPUT VOLTAGE	POWER TAPS				COIL IMPEDANCE	UL FREQUENCY RANGE	SPEAKER FREQUENCY RANGE	BAFFLE COLOUR
		½W	1W	2W	4W				
SPS-108A-25	25V RMS	85db	88db	89db	90db	8 ohms	400 Hz TO 4000 Hz	320 Hz TO 11000 Hz	OFF WHITE STEEL BAFFLE
SPS-108A-70	70V RMS								
SPS-208A-25	25V RMS								
SPS-208A-70	70V RMS								

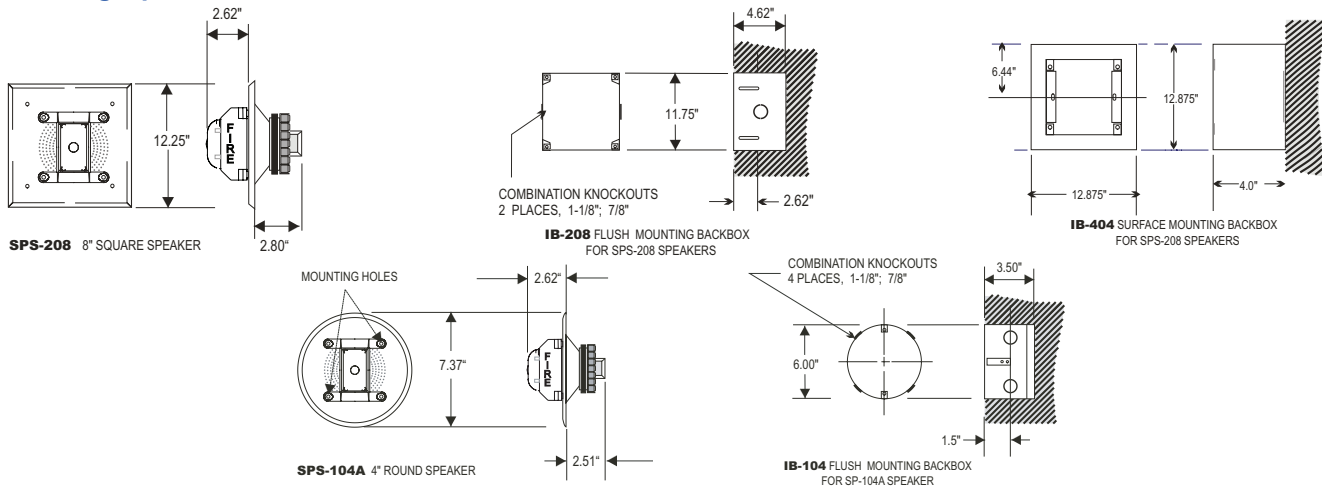
*dBA at 10ft. (3m) as measured in reverberant room per UL 1480. Meets or exceeds 85 dBA at 10ft. (3m) in an anechoic chamber using highest wattage tap per ULC-S541-1999.*

### Current Draw Table for STROBE only:

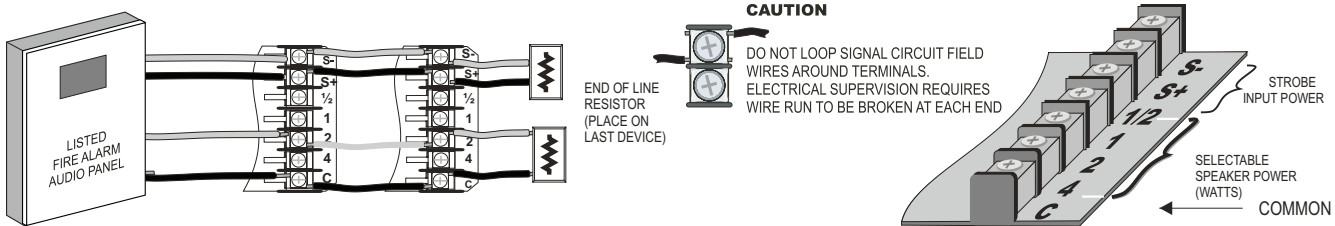
Candela	Average Current (mA) 24 volt models						Peak Current (mA) 24 volt models						In-Rush Current (mA) 24 volt models					
	19.2V		24V		26.4		19.2V		24V		26.4V		19.2V		24V		26.4V	
	DC	FWR	DC	FWR	DC	FWR	DC	FWR	DC	FWR	DC	FWR	DC	FWR	DC	FWR	DC	FWR
15/75	105	132	86	111	79	107	189	225	154	220	140	220	232	260	248	280	256	288
30/120	144	164	114	132	104	125	213	245	175	235	163	235	236	264	252	350	260	293

The strobes are listed for indoor use with a temperature operating range of 32° F to 120°F (0°C to 49°C)

## Mounting Options & Dimensions



## Typical Wiring Diagram



## Ordering Information

Model	Description
SPS-108A-25	8" Round Speaker, 25 Volt with Select-A-Strobe, White 15/75 or 30/120 Strobe Candela
SPS-108A-70	8" Round Speaker, 70 Volt with Select-A-Strobe, White 15/75 or 30/120 Strobe Candela
SPS-208A-25	8" Square Speaker, 25 Volt with Select-A-Strobe, White 15/75 or 30/120 Strobe Candela
SPS-208A-70	8" Square Speaker, 70 Volt with Select-A-Strobe, White 15/75 or 30/120 Strobe Candela
IB-108	8" Flush Backbox for Round Speakers
IB-208	8" Flush Backbox for Square Speakers
IB-408	8" Surface Backbox for Square Speakers
SDM-240	Series 200 Select-A-Horn/Strobe Sync. Module

NOT TO BE USED FOR INSTALLATION PURPOSES.



**Canada**  
25 Interchange Way  
Vaughan, Ontario L4K 5W3  
Telephone: (905) 660-4655  
Fax: (905) 660-4113

**U.S.A.**  
4575 Witmer Industrial Estates  
Niagara Falls, NY 14305  
Toll Free: (888) 660-4655  
Fax Toll Free: (888) 660-4113

Web page: <http://www.mircom.com> Email: [mail@mircom.com](mailto:mail@mircom.com)

Distributed by:

ISO 9001:2000 REGISTERED



CAT. 5719  
Rev. 0