



Description

The DTC-300A Stand-Alone Digital Alarm Communicator Transmitter/Dialer Module is a six zone fire alarm communicator that can be connected to any 24 VDC fire alarm control panel to provide fire reporting to a monitoring facility.

The DTC-300A utilizes two telephone lines to transmit information for six configurable input zones to a Digital Alarm Communicator Receiver (DACR). The input zones can be configured for Common Alarm, Common Trouble, Common Supervisory, Common Waterflow Alarm, AC Power Fail Trouble and Battery Trouble.

The DTC-300A requires a 24VDC filtered or 24VDC Full Wave Rectified (FWR) power source. The Digital Communicator can be programmed for dual line operation and uses the Security Industry Association (SIA) and Ademco Contact ID reporting protocols.

The DTC-300A can be configured locally via the on-board keypad and the CFG-300 Configuration Tool or with a UIMA programming tool and a computer with an available serial or USB port. In addition the DTC-300A can be remotely configured using a personal computer with a modem.

Features

- Connects to any 24VDC fire alarm control panel to provide fire reporting to a monitoring facility
- Transmits information for six configurable input zones on two telephone lines to a Digital Alarm Communicator Receiver (DACR)
- Input zones can be configured for Common Alarm, Common Supervisory, Common Trouble, Common Waterflow Alarm, AC Power Fail Trouble and Battery Trouble
- DTC-300A has the ability of disconnecting the incoming and outgoing calls and capturing the line for transmission to the Digital Alarm Communicator Receiver (DACR)
- Onsite or remote programming
- Onsite configurable with the on-board keypad and the CFG-300 Configuration Tool or using the UIMA Programming Tool and caomputer with an available serial or USB port
- Remotely configurable via a Personal Computer with a modem (Configuration is passcode protected)
- Provides telephone line monitoring and reports status via LED indication on-board
- Provides event logs of 500 entries each to save events from local dialer or remote fire alarm panel
- Logs can be reviewed locally with the CFG-300 Configuration Tool or remotely via modem
- Continuously supervises the status of each of two connected telephone lines at approximately one minute intervals
- Provides LED indication for AC Power, Common Trouble, CPU Fail and Ground Fault
- Requires 24VDC filtered or 24VDC Full Wave Rectified (FWR) power supply





CFG-300 Configuration Tool

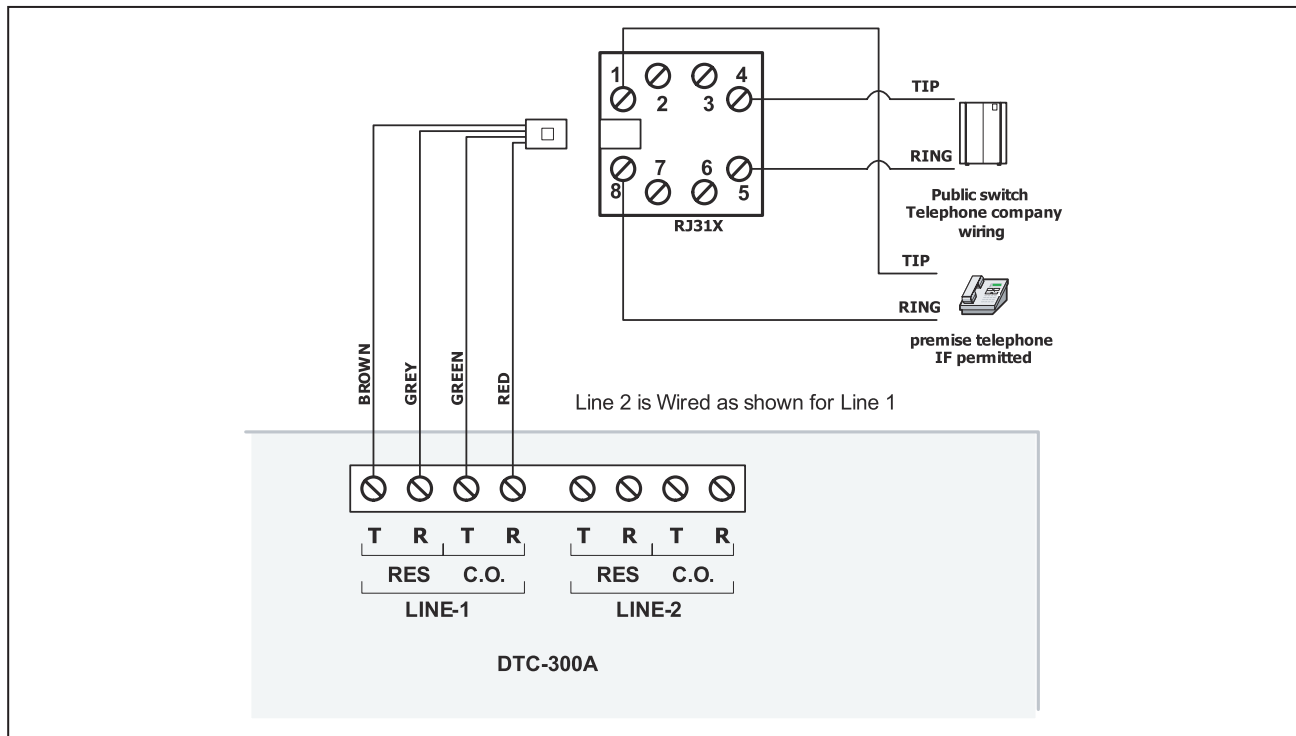
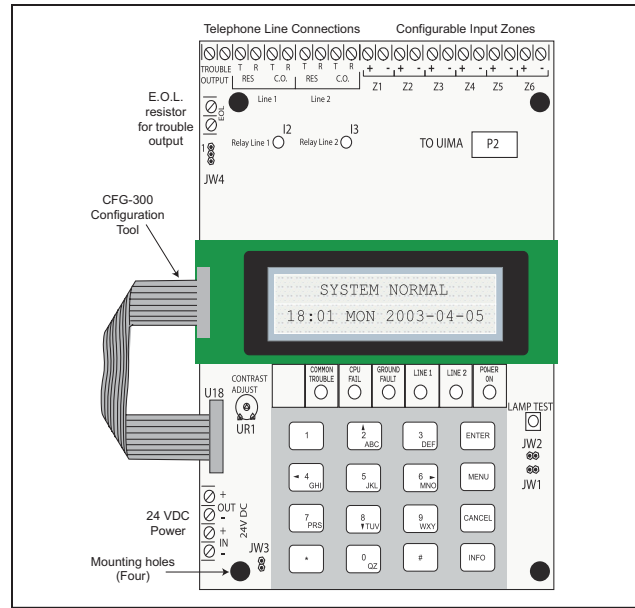
The CFG-300 Configuration Tool is required for onsite programming of the DTC-300A. The CFG-300 plugs into the DTC-300A to provide a two line by 20 character LCD display. The CFG-300 tool is used for configuration purposes only and not for normal operation.

Current Consumption

Standby	60 mA
Alarm	110 mA

DTC-300A Wiring Diagram

DTC-300A Connection Diagram



Ordering Information

Model	Description
DTC-300A*	Standalone Digital Alarm Communicator Transmitter
CFG-300	Configuration Tool
UIMA	Universal Programming Tool

*add suffix "R" for red and "W" for white

NOT TO BE USED FOR INSTALLATION PURPOSES.



Canada
 25 Interchange Way
 Vaughan, Ontario L4K 5W3
 Telephone: (905) 660-4655
 Fax: (905) 660-4113

U.S.A.
 4575 Witmer Industrial Estates
 Niagara Falls, NY 14305
 Toll Free: (888) 660-4655
 Fax Toll Free: (888) 660-4113

Web page: <http://www.mircom.com> Email: mail@mircom.com

Distributed by:



CAT. 5316
 Rev. 0