

Features

- Designed for installations where disconnection of, or damage to an in-suite audible device will not interfere with the ability of audible devices in other dwelling units, public corridors or suites to sound on an alarm
- Operates with bells and horns
- Provides 2 supervised isolator outputs
- Signals the fire alarm control panel for a short or open on the suite signals
- Mounts in a 4" square electrical box
- Terminals support up to 14 AWG wire
- Equipped with two 8 Amp rated relays
- Area on mounting plate for labeling the suite number

Description

Mircom's CSIS-202A Supervised Signal Isolator Module is designed for installations where disconnection of, or damage to an in-suite audible device will not interfere with the ability of audible devices in other dwelling units, public corridors or suites to sound on an alarm. The CSIS-202A mounts in a 4" square electrical box.

The CSIS-202A provides two supervised isolator outputs. Under this configuration, if the in-suite audible device has an open circuit, the fire control panel will indicate a zone trouble.

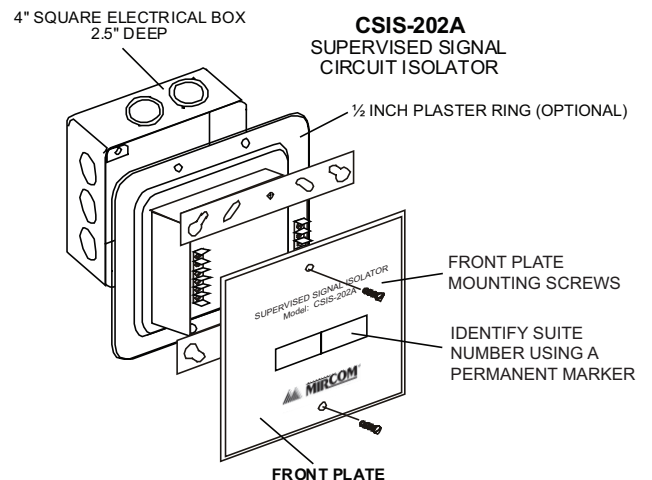
Electrical Ratings

Signal In:	Regulated 24 FWR/24 VDC
Suite Current:	0.0A
Standby Current:	0.0A

Note: Subtract 0.4A from the total signal circuit current when using any number of these isolators i.e. 1.7A subtract 0.4A equals 1.3A available for signalling when using isolators.

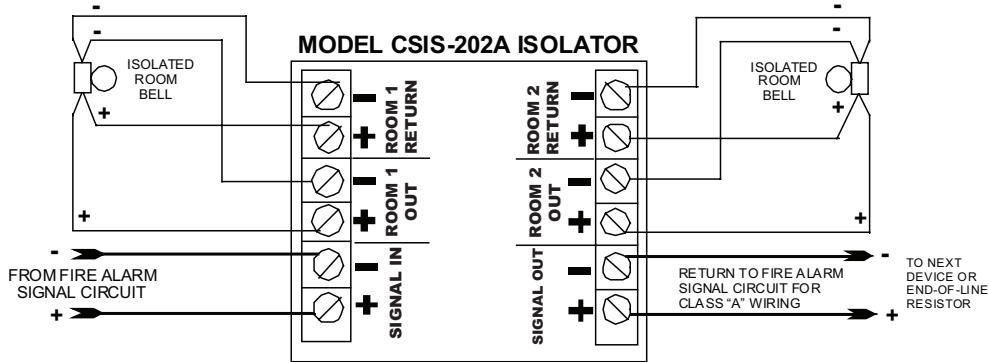
Installation Instructions

Mounting of the CSIS-202A Supervised Signal Isolator Module



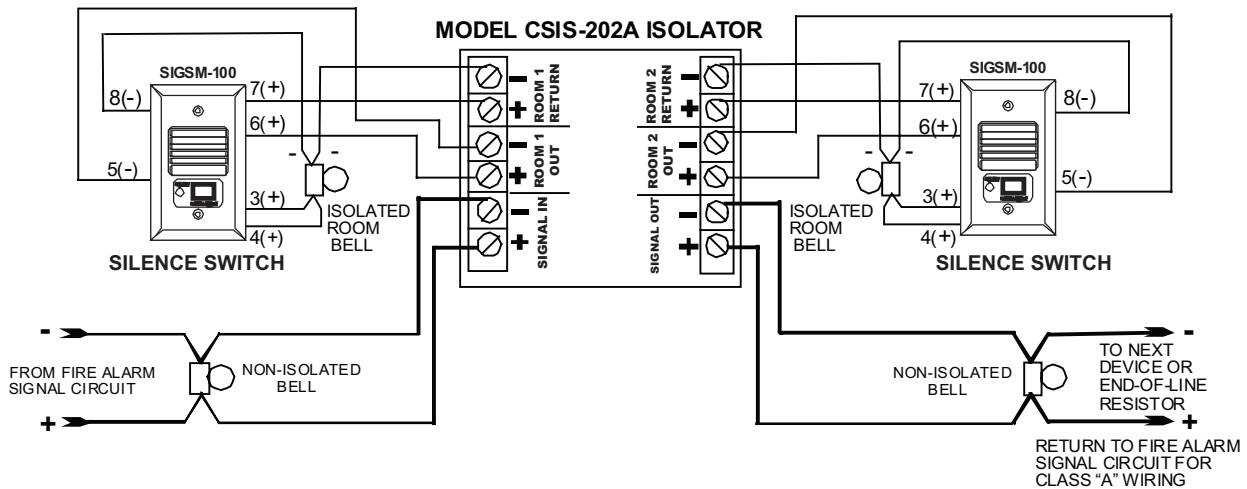
Typical Wiring Diagrams

Typical Wiring of the CSIS-202A Supervised Signal Isolator Module



BELLS ARE SHOWN IN THE DRAWINGS, BUT THEY REPRESENT HORNS AND STROBES AS WELL.

Typical Wiring of the CSIS-202A Supervised Signal Isolator Module using SIGSM-100 Silence Switch Module



NOTES:

1. All unused screw terminals must be tightened to prevent shorting to front plate.
2. For proper system operation refer to detailed installation instructions provided with control panel and local Installation standards.
3. Wiring supervised by the fire alarm control panel as per code.
4. Refer to signal device instruction for wiring gauge information.
5. To locate faulted suite device:
 - a. Set all other signal circuits to bypass except the circuit under test.
 - b. If Class A circuit, disconnect the return wire at the panel.
 - c. Sound signals.
 - d. Walk the floor to locate area where the sound ceases, this is the location of the fault.

Ordering Information

Model	Description
CSIS-202A	Supervised Signal Isolator Module

NOT TO BE USED FOR INSTALLATION PURPOSES.



Canada
25 Interchange Way
Vaughan, Ontario L4K 5W3
Telephone: (905) 660-4655
Fax: (905) 660-4113

U.S.A.
4575 Witmer Industrial Estates
Niagara Falls, NY 14305
Toll Free: (888) 660-4655
Fax Toll Free: (888) 660-4113

Web page: <http://www.mircom.com> Email: mail@mircom.com

Distributed by:

ISO 9001:2000
REGISTERED



CAT. 5265
Rev. 0