

CEILING & WALL MOUNT SPEAKER/STROBE SSC25-3075110/SSC70-3075110



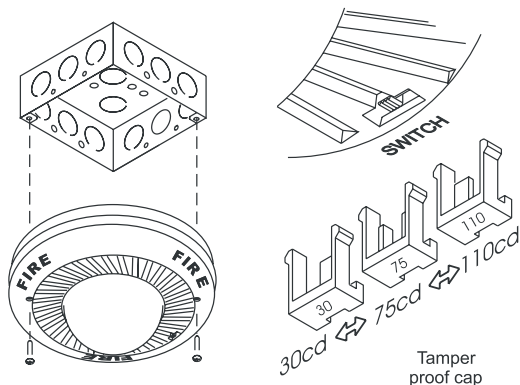
Description

The ceiling and wall mount fire alarm Select-A-Strobe/Speaker Series are designed to generate attention grabbing tones and voice commands for emergency signaling evacuation applications. These highly efficient low profile speakers are available with field selectable taps ¼, ½, 1, 2 Watts. The low profile speakers are available in two input voltage models 25 and 70.7Vrms and can be installed on a standard 4" square back box.

The Strobe features a unique candela intensity field selector switch for alternating the candela output 30cd, 75cd, or 110cd, and is polarized for connecting to supervise fire alarm circuits. The Strobe housing is clearly labeled with "FIRE" lettering. The strobe is designed with a xenon flash tube and provides a candela intensity field selector switch for maximum performance.

The series can be synchronized by using the SDM-240 (daisy chain) Sync Module to comply with NFPA recommendations concerning photosensitive epilepsy when installing 2 or more visual appliances within the field of view. The strobe signals are designed for non-sleeping areas and are listed for indoor use.

Strobe Selectable Candela



Features

Speaker

- UL1480 Listed for Fire Protective Service
- Field selectable wattage from ¼, ½, 1, and 2 watts
- Available 25VRMS and 70VRMS models
- Frequency range 400 to 4000 Hz
- Integral blocking capacitor for line supervision

Select-A-Strobe

- UL1971 Listed for ceiling and wall
- Three field selectable settings: 30cd, 75cd, or 110cd
- Operable with 24 V regulated DC or FWR (16-33V)
- Polarized strobes with wide operating voltage range using filtered DC or unfiltered FWR input voltage
- Minimum one flash per second (1Hz)
- Selectable light output candela - Low, Mid, and High
- Synchronization requires Sync Module SDM-240

Both Speaker and Strobe

- ADA/NFPA/ANSI compliant
- Screw terminal capacity up to #12AWG
- RBX-1 back box skirt for surface mount (optional)
- Available in red or white housing
- All models mount to 4" X 4" X 2-1/8" back box

Engineering Specifications

The speaker and visual alarm indicating appliance shall be model SSC25-3075110, SSC70-3075110 or equivalent device. The Speaker shall be listed under UL 1480 Standard for audible and voice communications and shall be approved for fire protective service. The Fire alarm speaker shall be capable of reproducing alarm tones or voice commands on 25V RMS or 70V RMS. Speakers shall provide incremental tap settings of ¼, ½, 1, 2 watts. The Speaker shall have a frequency range of 400 to 4,000 Hz. The Speaker shall produce UL sound pressure level at 10 feet up to 84dBA. The Speaker shall be approved for fire alarm signaling use. The Strobe shall be listed under UL 1971 Standard for signaling devices for the hearing impaired and shall be approved for fire protection service. The candela output shall be field selectable, having three (3) settings of 30cd, 75cd and 110cd output. The signaling Strobe shall operate on 24VDC from a noncoded regulated DC supply or full-wave rectified, unfiltered supply. The Strobe shall be designed to produce one signal flash per second with continuously applied minimum voltage. The Strobe may have a SPC-1 universal back mounting plate, capable of CEILING and WALL mounting to a back box. When strobe synchronization is required, the Strobe shall be compatible with the SDM-240 (daisy chain) or other source of sync protocol. Signaling devices shall be installed in accordance with current NFPA guideline.



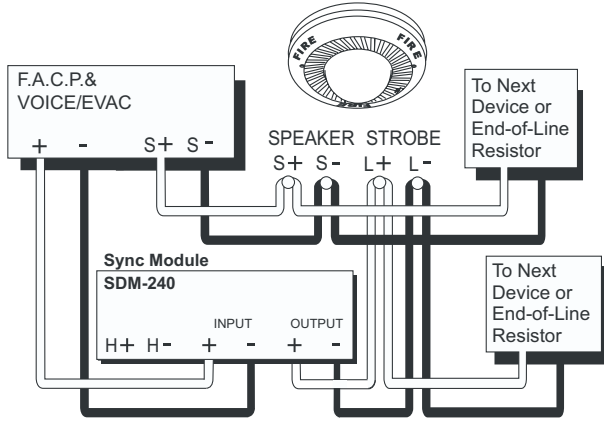
CATALOG NUMBER **5244**

NOT TO BE USED FOR INSTALLATION PURPOSES.

Speaker Specifications

Rated Input Voltage (Vrms/1kHz)	25V				70.7V			
	Input Power (Watts)	1/4	1/2	1	2	1/4	1/2	1
Impedance (k ohms)	2.5	1.25	0.62	0.31	20	10	5	2.5
Sound Pressure Level (dB/10 ft)	75	78	81	84	75	78	81	84
Frequency Response (Hz)	400 ~ 4,000							
Low Frequency Cut Off (Hz)	200							
Operating Temperature Range	30°F ~ 120°F (0°C ~ 49°C)							

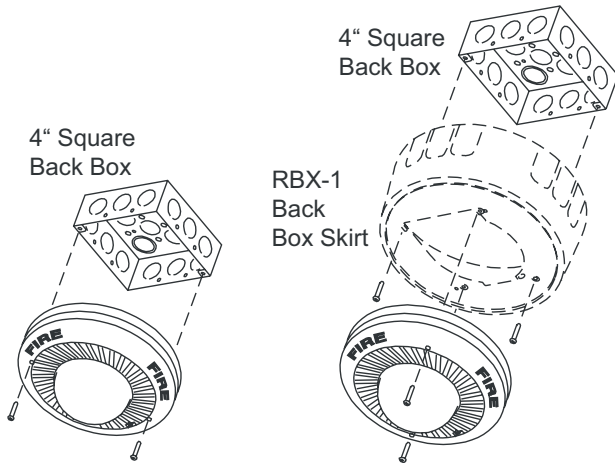
Wiring Diagram



UL Required Minimum Light Output (cd)

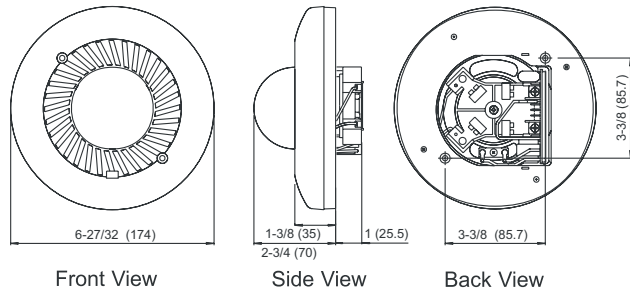
Degrees	Ceiling Mount		
	@ 30cd	@ 75cd	@110cd
0	30.00	75.00	110.00
5 ~ 25	27.00	67.50	99.00
30	22.50	56.25	82.50
40	16.50	41.25	60.50
45	13.50	33.75	49.50
50	12.00	30.00	44.00
55	13.50	33.75	49.50
60	12.00	30.00	44.00
65 ~ 70	10.50	26.25	38.50
75 ~ 80	9.00	22.50	33.00
85 ~ 90	7.50	18.75	27.50
Compound 45	7.20	18.00	26.40

Mounting



Strobe Light	Max. RMS Operating Current (mA)	
	Regulated 24V DC	Regulated 24V FWR
30cd	116	162
75cd	172	236
110cd	234	294

Dimensions



Ordering Information

Model Number	Housing Color	Speaker Voltage (Vrms)	Operating Voltage Range	Sync Module	Input Voltage	Strobe Flash Rate (times/min)	Mounting Type	Temperature Operating Range
SSC25-3075110R	Red	25	16 ~ 33VDC 16 ~ 33VFWR	SDM-240	Regulated 24V DC/FWR	60	Ceiling & Wall	32°F ~ 120°F (0°C ~ 49°C)
SSC25-3075110W	White							
SSC70-3075110R	Red	70.7						
SSC70-3075110W	White							

NOT TO BE USED FOR INSTALLATION PURPOSES.



Canada
25 Interchange Way
Vaughan, Ontario L4K 5W3
Telephone: (905) 660-4655
Fax: (905) 660-4113

U.S.A.
4575 Witmer Industrial Estates
Niagara Falls, NY 14305
Toll Free: (888) 660-4655
Fax Toll Free: (888) 660-4113

Web page: <http://www.mircom.com> Email: mail@mircom.com

Distributed by:



CAT. 5244
Rev. 1