

CEILING & WALL MOUNT SPEAKER/STROBE SSC25-177/SSC70-177



Description

The ceiling and wall mount fire alarm Speaker/Strobe Series are designed to generate attention grabbing tones and voice commands for emergency signaling evacuation applications. These highly efficient low profile speakers are available with field selectable taps $\frac{1}{4}$, $\frac{1}{2}$, 1, 2 Watts. The low profile speakers are available in two input voltage models 25 and 70.7Vrms and can be installed on a standard 4" square back box.

The Strobe features a candela output of 177cd, and is polarized for connecting to supervise fire alarm circuits. The Strobe housing is clearly labeled with "FIRE" lettering. The strobe is designed with a xenon flash tube and provides a candela intensity field selector switch for maximum performance.

The series can be synchronized by using the SDM-240 (daisy chain) Sync Module to comply with NFPA recommendations concerning photosensitive epilepsy when installing 2 or more visual appliances within the field of view. The strobe signals are designed for non-sleeping areas and are listed for indoor use.

Engineering Specifications

The speaker and visual alarm indicating appliance shall be model SSC25-177, SSC70-177 or equivalent device. The Speaker shall be listed under UL 1480 Standard for audible and voice communications and shall be approved for fire protective service. The Fire alarm speaker shall be capable of reproducing alarm tones or voice commands on 25V RMS or 70.7V RMS. Speakers shall provide incremental tap settings of $\frac{1}{4}$, $\frac{1}{2}$, 1, 2 watts. The Speaker shall have a frequency range of 400 to 4,000 Hz. The Speaker shall produce UL sound pressure level at 10 feet up to 84dBA. The Speaker shall be approved for fire alarm signaling use.

Features

Speaker

- UL1480 Listed for Fire Protective Service
- Field selectable wattage from $\frac{1}{4}$, $\frac{1}{2}$, 1, and 2 watts
- Available 25VRMS and 70VRMS models
- Frequency range 400 to 4000 Hz
- Integral blocking capacitor for line supervision

Strobe

- UL1971 Listed for ceiling and wall
- Fixed 177cd candela output
- Operable with 24 V regulated DC or FWR (16-33V)
- Polarized strobes with wide operating voltage range using filtered DC or unfiltered FWR input voltage
- Minimum one flash per second (1Hz)
- Selectable light output candela - Low, Mid, and High
- Synchronization requires Sync Module SDM-240

Both Speaker and Strobe

- ADA/NFPA/ANSI compliant
- Screw terminal capacity up to #12AWG
- RBX-1 back box skirt for surface mount (optional)
- Available in red or white housing
- All models mount to 4" X 4" X 2-1/8" back box

The Strobe shall be listed under UL 1971 Standard for signaling devices for the hearing impaired and shall be approved for fire protection service. The candela output shall be 177cd intensity output. The signaling strobe shall operate on 24VDC from a non-coded regulated DC supply or full-wave rectified, unfiltered supply. The Strobe shall be designed to produce one signal flash per second with continuously applied minimum voltage. The Strobe may have a SPC-1 universal back mounting plate, capable of CEILING and WALL mounting to a back box. When strobe synchronization is required, the Strobe shall be compatible with the SDM-240 (daisy chain) or other source of sync protocol. Signaling devices may be installed in sleeping areas in accordance with current NFPA guideline.



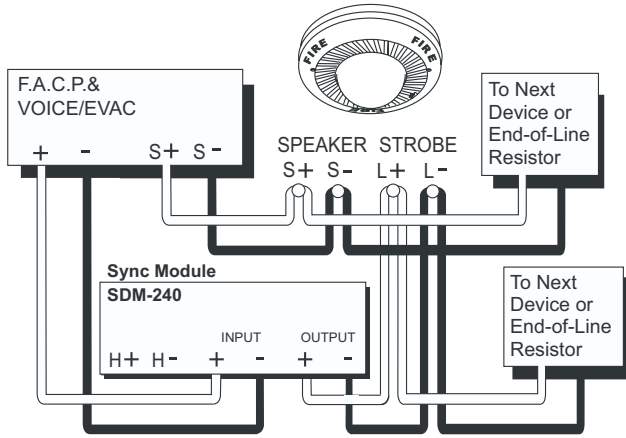
CATALOG NUMBER **5243**

NOT TO BE USED FOR INSTALLATION PURPOSES.

Speaker Specifications

Voltage	25V RMS				70.7V RMS			
Input Power (Watts)	¼	½	1	2	¼	½	1	2
Impedance (k ohms)	2.5	1.25	0.62	0.31	20	10	5	2.5
Sound Pressure Level (dB/10 ft)	75	78	81	84	75	78	81	84
Frequency Response (Hz)	400 ~ 4,000 Hz							
Low Frequency Cut Off (Hz)	200 Hz							

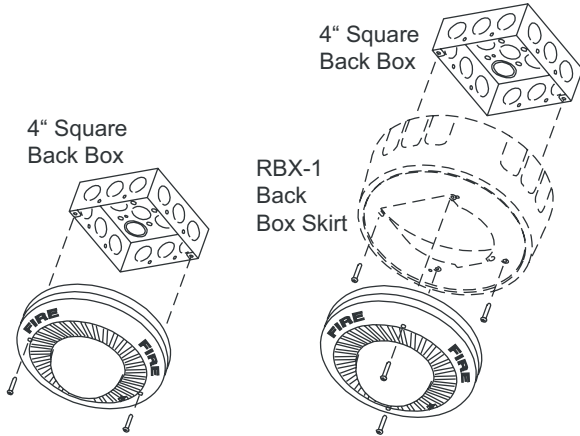
Wiring Diagram



UL Required Minimum Light Output (cd)

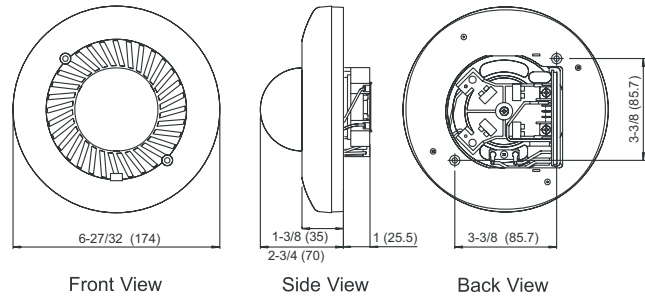
Degrees	Ceiling Mount
	@ 177 cd
0	177.00
5 ~ 25	159.30
30	132.75
40	97.35
45	79.65
50	70.80
55	61.95
60	70.80
65 ~ 70	61.95
75 ~ 80	53.10
85 ~ 90	44.25
Compound 45	42.48

Mounting Diagram



Strobe Light	Max RMS Operating Current (mA)	
	Regulated 24V DC	Regulated 24V FWR
@ 177 cd	347	437

Dimensions



Ordering Information

Model Number	Housing Color	Speaker Voltage (Vrms)	Strobe Output (Candela)	Sync Module	Operating Voltage Range	Input Voltage	Strobe Flash Rate (times/min)	Mounting Type	Temperature Operating Range
SSC25-177R	Red	25	177	SDM-240	16 ~ 33VDC 16 ~ 33VFWR	Regulated 24V DC/FWR	60	Ceiling & Wall	32°F ~ 120°F (0°C ~ 49°C)
SSC25-177W	White								
SSC70-177R	Red	70.7							
SSC70-177W	White								

NOT TO BE USED FOR INSTALLATION PURPOSES.



Canada
25 Interchange Way
Vaughan, Ontario L4K 5W3
Telephone: (905) 660-4655
Fax: (905) 660-4113

U.S.A.
4575 Witmer Industrial Estates
Niagara Falls, NY 14305
Toll Free: (888) 660-4655
Fax Toll Free: (888) 660-4113

Web page: <http://www.mircom.com> Email: mail@mircom.com

Distributed by:



CAT. 5243
Rev. 1