



Description

The Commander³ Series is a low profile strobe or horn/strobe combination that offers dependable audible and visual alarms and the lowest current available. The GE3 Series offers tamperproof field selectable candela options of 15, 30, 60, 75, and 110 candela.

The Commander³ Series horn offers a continuous or synchable temporal three in 2400Hz and mechanical tone, a chime as well as a whoop tone. All tones are easy for the professional to change in the field by using switches. The GE3 Series has a minimal operation current and has a minimum flash rate of 1Hz regardless of input voltage.

The Commander³ Series is shipped with the standard 4" mounting plate which incorporates the popular Super-Slide™ feature that allows the installer to easily test for supervision. The product also features a locking mechanism which secures the product to the bracket without any screws showing.

The Commander³ also features the Checkmate™ - Instant Voltage Verification feature which allows the installer to check the voltage without removing the signal. The GE3 Series appliances are UL 464 and UL 1971, listed for use with fire protective systems and are warranted for three years from date of purchase.

Engineering Specifications

The audible and/or visible signal shall be a GE3 Series or approved equal and shall be listed by Underwriters Laboratories Inc. per UL 1971 and/or UL 464. The notification appliance shall also be listed with the California State Fire Marshal (CSFM) and the Bureau of Standards and Appeals (NYC).

The notification appliance (combination audible/visible) shall produce a peak sound output of 100dBA or greater at 12 or 24V as measured in an anechoic chamber.

Features

- Nominal Voltage 24 VDC
- Field selectable candela options of 15, 30, 60, 75, and 110 candela
- Unit Dimensions: 5" high x 4.5" wide x 2.5" deep
- Super-Slide™ Bracket - Ease of Supervision Testing
- Checkmate™ - Instant Voltage Verification
- Lower Installation and Operating Costs
- Input Terminals 12 to 18 AWG
- Switch Selection for High or Low dBA
- Switch for Chime, Whoop, Mechanical and 2400Hz Tone
- Switch for Continuous or Temporal 3 (not available on whoop tone)
- Tamperproof Re-entrant Grill
- Surface Mount with the GSB Surface Mount Box
- Synchronize Strobe and/or Horn with AVSM Series Control Module
- Silence Horn While Strobes Remain Flashing
- Wide Voltage Range 16-33 VDC or FWR
- Faceplate Available in Red or Off-White

The signaling appliance shall also have the capability to silence the audible signal while leaving the visible signal energized with the use of a single pair of power wires. Additionally, the user shall be able to select either continuous or temporal tone output with the temporal signal having the ability to be synchronized.

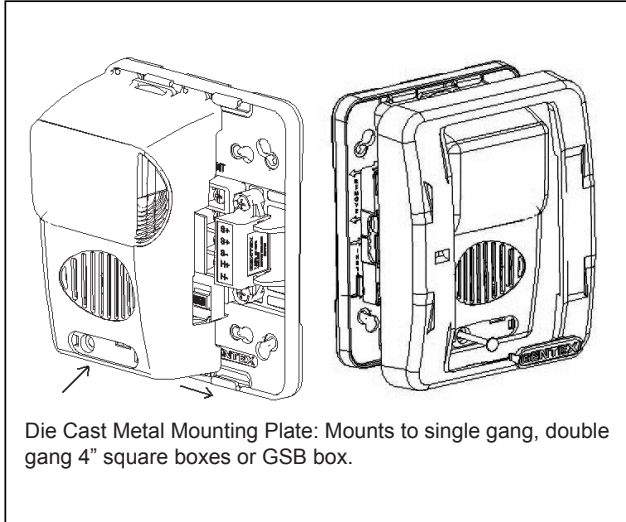
The unit shall be capable of being installed so that any unauthorized attempt to change the candela setting will result in a trouble signal at the fire alarm control panel. The audible/visible and visible signaling appliance shall also maintain a minimum flash rate of 1Hz or up to 2 Hz regardless of power input voltage.

The appliance shall have an operating current of 55mA or less at 24 VDC for the 15Cd strobe circuit. The appliance shall be polarized to allow for electrical supervision of the system wiring. The unit shall be provided with a mounting bracket with terminals with barriers for input/output wiring and be able to mount to a single gang or double gang box or double workbox without the use of an adapter plate. The unit shall have an input voltage range of 16-33 volts with direct current of full wave rectified power.

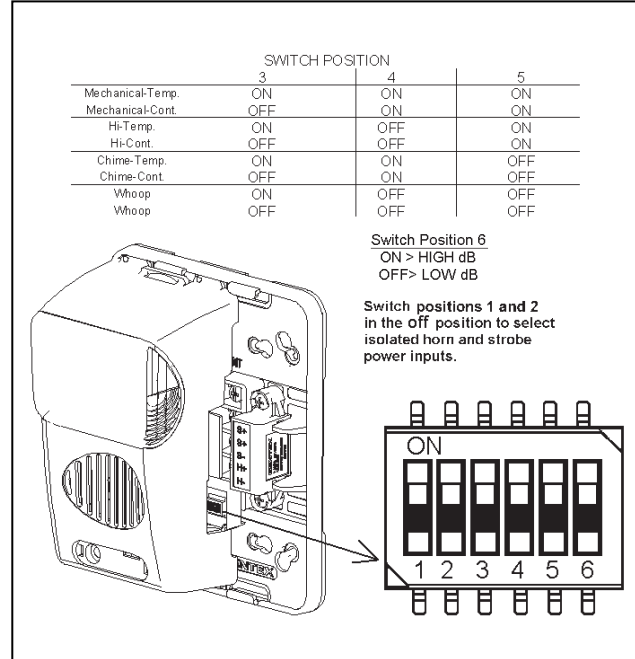
The appliance shall be capable of testing supervision without disconnecting wires. Also the appliance shall be capable of mounting to a surface back box. The unit shall also be able to verify voltage at the unit without removing unit.



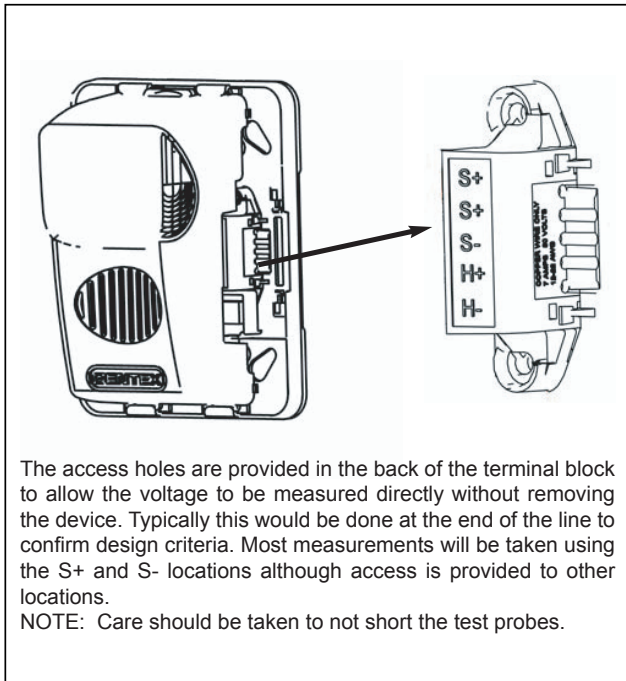
Mounting Super Slide™



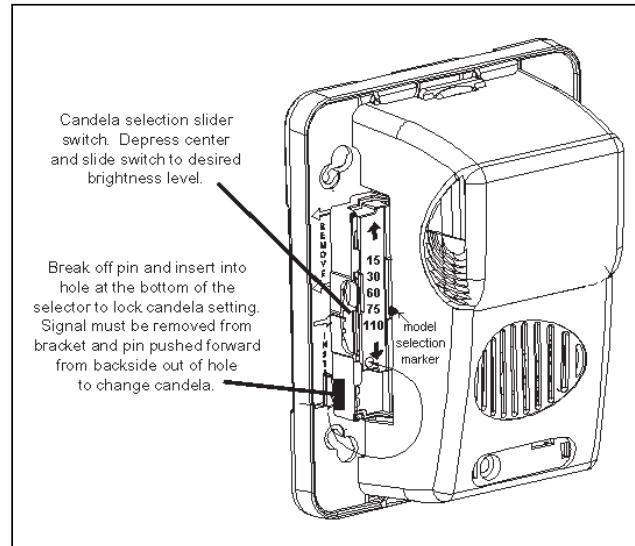
Switch Locations



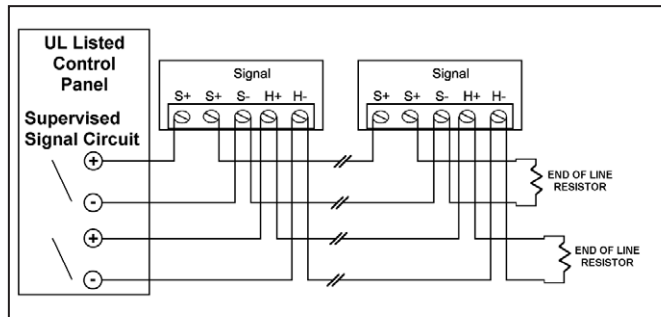
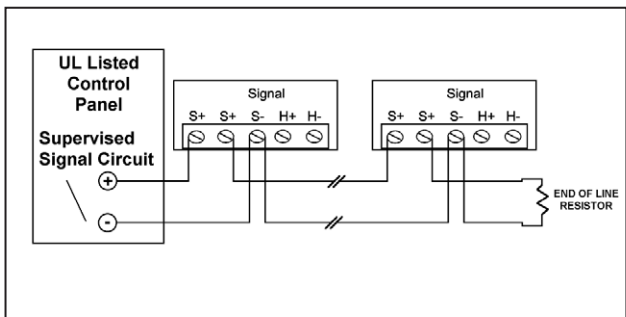
Checkmate™ - Instant Voltage Verification



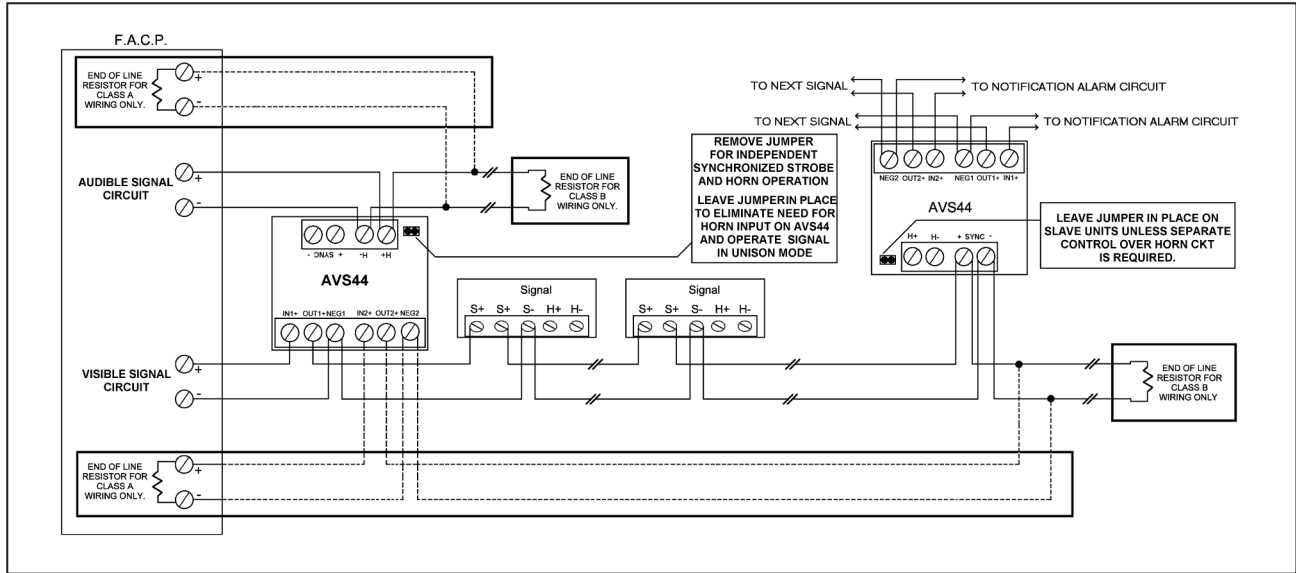
Candela Selection



Conventional GES3/GEC3 Series Wiring Diagrams



Wiring Diagram GE3 Series with AVS Series Synchronization Module



Horn Ratings

Horn Mode	Minimum dBA @ 10ft. per UL464 (HIGH)	Minimum dBA @ 10ft. per UL464 (LOW)	Regulated 24VDC Max. Operating @ High Setting (mA)
Temp 3 2400Hz	78	71*	28
Temp 3 Mechanical	76	70*	25
Temp 3 Chime	70*	66*	15
Continuous 2400Hz	81	74*	28
Continuous Mechanical	80	72*	25
Continuous Chime	70*	66*	15
Whoop	82	69*	56

Strobe Current Ratings

Candela	15cd	30cd & 15/75cd	60cd	75cd	110cd
24 VDC	55mA	63mA	88mA	112mA	136mA
UL Max ¹	78mA	96mA	137mA	180mA	224mA

* Operating the horn in this mode at this voltage will result in not meeting the minimum UL reverberant sound level required for public mode fire protection service. These settings are acceptable only for private mode fire alarm use. Use the high dBA setting for public mode application (not applicable when using the chime tone. The chime tone is always private mode).

Notes: The sound output for the temporal 3 tone is rated lower since the time the horn is off is averaged into the sound output rating. While the horn is producing a tone in the temporal 3 mode its sound pressure is the same as the continuous mode.

To obtain the horn/strobe current draw, add the strobe current draw and the horn current draw.

¹ RMS current ratings are per UL average RMS method. UL max current rating is the maximum RMS current within the listed voltage range (16-33VDC for 24VDC units). For strobes the UL max current is usually at the minimum listed voltage (16VDC for 24VDC units). For audibles the max current is usually at the maximum listed voltage. For unfiltered FWR ratings, see installation manual.

GEH 24 VDC Low Profile Evacuation Horn

Model Number	Nominal Voltage	Reverberant dBA @ 10ft Per UL464**	In Anechoic Room dBA @ 10ft.
GEH24WR	24 VDC	62-82	100
GEH24WW	24 VDC	62-82	100

Model designations:

- "W" = Wall Mount
- "R" = Red Faceplate
- "W" = Off-White Faceplate

GES3 24 VDC Selectable Candela Low Profile Evacuation Strobe

Model Number	Nominal Voltage	Candela (UL 1971)
GES3-24WR	24 VDC	15, 30, 60, 75, 110
GES3-24WW	24 VDC	15, 30, 60, 75, 110
GES3-24PWR	24 VDC	15, 30, 60, 75, 110
GES3-24PWW	24 VDC	15, 30, 60, 75, 110

GEC3 24 VDC Selectable Candela Low Profile Evacuation Horn/Strobe

Model Number	Nominal Voltage	Candela (UL 1971)	Reverberant dBA @ 10ft Per UL464**	In Anechoic Room dBA @ 10ft.
GEC3-24WR	24 VDC	15, 30, 60, 75, 110	62-82	100
GEC3-24WW	24 VDC	15, 30, 60, 75, 110	62-82	100
GEC3-24PWR	24 VDC	15, 30, 60, 75, 110	62-82	100
GEC3-24PWW	24 VDC	15, 30, 60, 75, 110	62-82	100

Notes:

- The GE3 Series is not listed for outdoor use.
- Operating temperature: 32° to 120°F (0° to 49° C).
- For nominal and peak current across UL regulated voltage range for filtered DC power and unfiltered (FWR [Full Wave Rectified]) power, see installation manual.
- Coded or pulsing signaling circuits are not recommended with any of these strobe products.

** The listed reverberant dBA are for the Continuous Tone mode. The Temporal 3 Tone has a reverberant dBA @ 10ft. per UL 464 is 77-83 with a horn current draw of 34mA.

NOT TO BE USED FOR INSTALLATION PURPOSES.



Canada

25 Interchange Way
Vaughan, Ontario L4K 5W3
Telephone: (905) 660-4655
Fax: (905) 660-4113

U.S.A.

4575 Witmer Industrial Estates
Niagara Falls, NY 14305
Toll Free: (888) 660-4655
Fax Toll Free: (888) 660-4113

Web page: <http://www.mircom.com> Email: mail@mircom.com

Distributed by:

ISO 9001:2000
REGISTERED



CAT. 5239
Rev. 5