



Description

The Weatherproof Commander Series is a low profile strobe, horn or horn/strobe combination that offers dependable visible and/or audible alarms. The WGE horn offers a continuous or synchable temporal three in 2400Hz and mechanical tone, a chime as well as a whoop tone. All tones are easy for the professional to change in the field by using switches. The WGE is shipped from the factory on the temporal lower frequency mode and comes standard with a rugged die cast metal mounting plate.

The WGE Series has a minimal operation current and has a minimum flash rate of 1Hz regardless of input voltage. The Weatherproof Series is equipped with the SuperSlide feature to test supervision. Included with shipment of the unit is the GOE or GOELP weatherproof enclosure. The unit and GOE or GOELP enclosure must be used together to meet the UL outdoor listing.

The WGE Series appliances are UL 464, UL 1638 listed for use with fire protective systems.

Engineering Specifications

The audible and/or visible signal shall be a WGE Series or approved equal and shall be listed by Underwriters Laboratories Inc. per UL 1638 and/or UL 464.

The notification appliance shall also be listed with the California State Fire Marshall (CSFM) and the Bureau of Standards and Appeals (NYC).

The notification appliance (combination audible/visible and audible units only) shall produce a peak sound output of 100dBA or greater as measured in an anechoic chamber.

Features

- Ease of Supervision Testing (Super Slide™)
- True Evacuation Tone
- Switch Selection for High or Low dBA
- Switch for Chime, Whoop, Mechanical and 2400Hz Tone
- Switch for Continuous or Temporal 3 (not available on whoop tone)
- Tamperproof Re-entrant Grill
- Wide Voltage Range 16-33 VDC or FWR
- Separate Horn and Strobe Functions
- Synchronize Strobe and/or Horn by Using the AVS Series Control Module
- Listed for UL1638 (outdoor use) when used with the GOE or GOELP enclosure
- Input Terminals 12 to 18 AWG
- Rugged Die Cast Metal Mounting Bracket
- Available in Red or Off-White
- 75 Candela Strobe Meets ADA Requirements

The signaling appliance shall also have the capability to silence the audible signal while leaving the visible signal energized with the use of a single pair of power wires. Additionally, the user shall be able to select either continuous or temporal tone output with the temporal signal having the ability to be synchronized.

The audible/visible and visible signaling appliance shall also maintain a minimum flash rate of 1Hz or greater regardless of power input voltage. The appliance shall also be capable of meeting the candela requirements of the ADA (75Cd) .

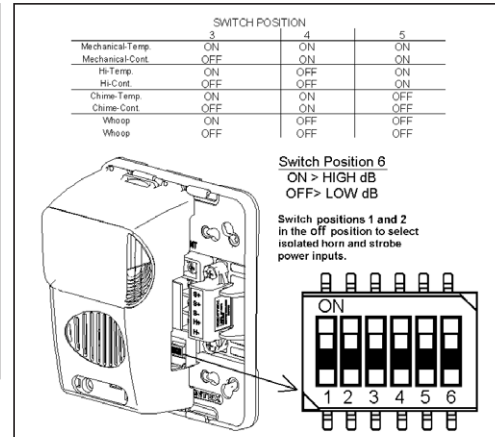
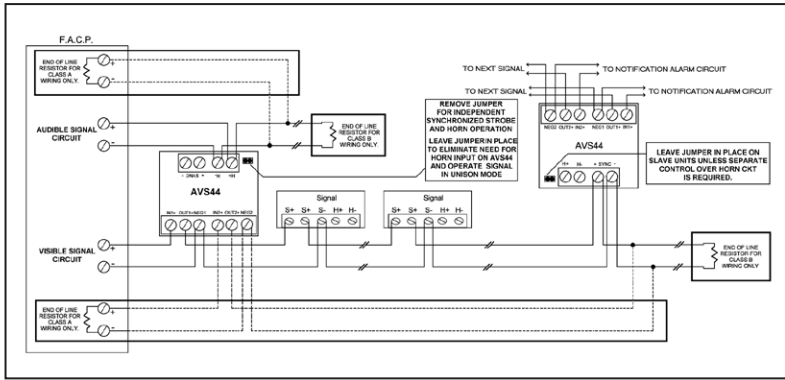
The appliance shall be polarized to allow for electrical supervision of the system wiring. The unit shall be provided with a mounting bracket with terminals with barriers for input/output wiring and be able to mount to a single gang or double gang box or double workbox without the use of an adapter plate. The unit shall have an input voltage range of 16-33 volts with either direct current of full wave rectified power.

The appliance shall be capable of test supervision without disconnecting wires. Also the appliance shall be capable of mounting to a surface back box. The WGE unit must be used with the GOE outdoor enclosure to meet UL outdoor listing.



Wiring Diagram WGE Series with AVS Series Sync Module

Switch Locations



Specifications

Horn Mode	Minimum dBA @ 10ft. Per UL464 (HIGH)	Minimum dBA @ 10ft. Per UL464 (LOW)	Regulated 24VDC Max. Operating @ High Setting (mA)	Regulated 24VFWR Max. Operating @ High Setting (mA)
Temp 3 2400Hz	78	71*	28	48
Temp 3 Mechanical	76	70*	25	44
Temp 3 Chime	70*	66*	15	30
Continuous 2400Hz	81	74*	28	48
Continuous Mechanical	80	72*	25	44
Continuous Chime	70*	66*	15	30
Whoop	82	69*	56	62

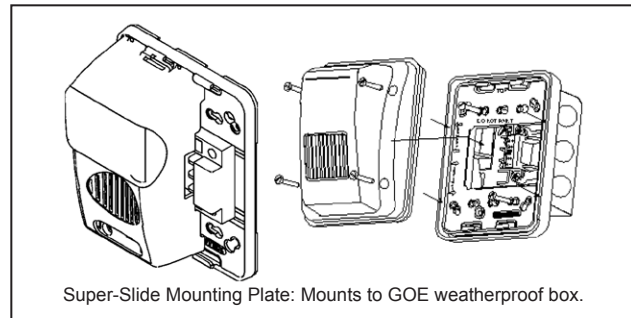
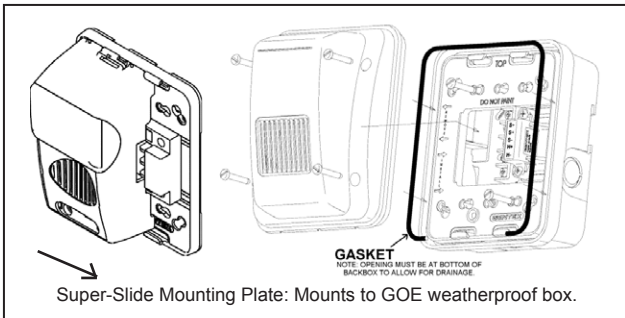
Operating temperature:
Indoor: 32° to 120°F (0° to 49°C)
Outdoor: -31° to 150°F (-35° to 66°C)

Candela	Strobe Current Ratings	
	Regulated 24VDC Max. Operating Current (mA)	Regulated 24VFWR Max. Operating Current (mA)
75	180	245

Notes: The sound output for the temporal 3 tone is rated lower since the time the horn is off is averaged into the sound output rating. While the horn is producing a tone in the temporal 3 mode its sound pressure is the same as the continuous mode. Using a coded or pulsing signaling circuit with any of our strobe products is not recommended.

*Operating the horn in this mode at this voltage will result in not meeting the minimum UL reverberant sound level required for public mode fire protection service. These settings are acceptable only for private mode fire alarm use. Use the high dBA setting for public mode application (not applicable when using the chime tone. The chime tone is always private mode).

Mounting SuperSlide



Ordering Information

Model Number	Candela (UL 1638)	Reverberant dBA @ 10ft. Per UL 464**	In Anechoic Room dBA @ 10ft.
GEH24R	-	70-82	100
GEH24W	-	70-82	100
WGES-75WR	75	-	-
WGES-75PWR	75	-	-
WGES-75WW	75	-	-
WGES-75PWW	75	-	-
WGEC-75WR	75	70-82	100
WGEC-75PWR	75	70-82	100
WGEC-75WW	75	70-82	100
WGEC-75PWW	75	70-82	100

Model designations:

- "W" = Wall Mount
- "R" = Red Faceplate
- "W" = Off-White Faceplate
- "P" = Plain (no lettering)

Note: Must order the GOE or GOELP separately when using the GEH24 in an outdoor application.

** The listed horn current draws are for the Continuous Tone mode. The Temporal 3 Tone has a reverberant dBA @ 10ft. per UL 464 is 77-83 with a horn current draw of 34mA.

NOT TO BE USED FOR INSTALLATION PURPOSES.



Canada
25 Interchange Way
Vaughan, Ontario L4K 5W3
Telephone: (905) 660-4655
Fax: (905) 660-4113

U.S.A.
4575 Witmer Industrial Estates
Niagara Falls, NY 14305
Toll Free: (888) 660-4655
Fax Toll Free: (888) 660-4113

Web page: <http://www.mircom.com> Email: mail@mircom.com

Distributed by:



CAT. 5238
Rev. 4