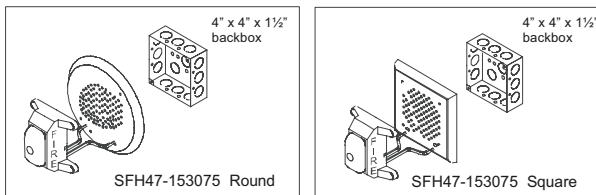




Description

These low profile fire alarm speakers are designed to generate attention grabbing tones and voice commands for emergency signaling evacuation applications. These highly efficient low profile speakers are available with field selectable taps from 1/4W ~ 2 watts. The low profile speakers are available in two input voltage models 25 Vrms and 70.7 Vrms and can be installed on a standard 4" x 4" x 1-1/2" electrical backbox without the need for an extension ring. The SFH47 series speaker/strobe are designed with the new and exclusive Select-A-Strobe. The strobe features a unique candela intensity field selector switch for switching the candela output from 15/75 to 30/120 cd. The strobe housing is clearly labeled with "FIRE" lettering and is polarized for connecting to supervised fire alarm circuits. The strobe is designed with a xenon flashtube and provides a candela intensity field selector switch for maximum performance. The Speaker/Strobe series is available in red or white housing 15/75 or 30/120 cd. and 110 cd models. The Strobe can be synchronized by using the SDM-240 sync module to comply with NFPA recommendations concerning photosensitive epilepsy when installing 2 or more visual appliances within the field of view. The strobe signals are listed for indoor use, ceiling and wall mount, under UL 1971 standard.

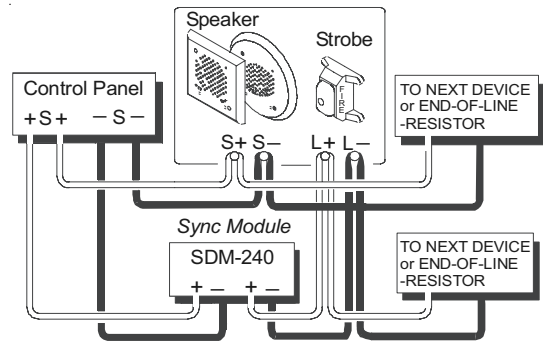
Mounting



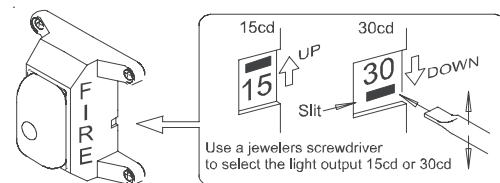
Features

- Designed to meet or exceed NFPA / ANSI Standards and ADA Accessibility Guidelines
- UL listed for fire protective service
- Field selectable taps from 1/4w ~ 2 watts
- UL listed for Wall or Ceiling mount
- Available 25Vrms and 70.7Vrms models
- Screw terminals capacity up to 12 AWG
- Frequency range 400 Hz ~ 4000 Hz
- Two field selectable settings 15/75 or 30/120 candela
- Integral blocking capacitor for line supervision
- Meets ADA guidelines for minimum one flash per/sec (1Hz)
- Strobes are polarized and rated at 24VDC
- Synchronization requires SDM-240 module

Typical Wiring Diagram



Strobe Selectable Candela Output



WARNING:
Strobes must be used only on circuits with continuously operating voltage, DO NOT use strobe on coded or interrupted circuits in which the applied voltage is interrupted ON and OFF as the strobe may fail to flash.

The strobe applied voltage must be within its rated input voltage range.

Fuse ratings on signaling circuits must handle peak currents from all devices connected to those circuits.



Engineer Specifications

The fire alarm speaker shall be capable of reproducing alarm tones or voice commands on 25Vrms or 70.7Vrms. Speakers shall provide incremental tap settings of ¼, ½, 1, and 2 watts and shall be selected by means of a jumper wire. The speaker shall have a frequency range of 400 to 4000 Hz and shall have an operating temperature between 14 F and 140 F. The speaker shall produce a UL sound pressure level at 10 feet up to 84dB. The speaker shall be approved for fire alarm signaling use. The strobe shall be listed under UL 1971 standard for signaling devices for the hearing impaired and shall be approved for fire protective service. The candela output shall be field selectable, having a dual setting of 15/75 cd or 30/120 cd output. The signaling strobe shall operate on 24VDC from a non-coded regulated DC supply or full-wave rectified, unfiltered supply. The signaling strobe shall be designed to produce a signal flash of one flash per second with continuously applied minimum voltage. The SFH47 shall be capable of WALL or CEILING mounting. The visual signaling devices are to be installed in all non-sleeping/corridor and sleeping areas as per plans and specifications.

Select-A-Strobe Only Current Draw Table

Average Current (mA) 24 volt models							Peak Current (mA) 24 volt models								
		16.2V		24V		26.4V				16.2V		24V		26.4V	
Candela	DC	FWR	DC	FWR	DC	FWR	Candela	DC	FWR	DC	FWR	DC	FWR	DC	FWR
15/75cd	105	132	86	111	79	107	15/75cd	189	225	154	220	140	220		
30/120cd	144	164	114	132	104	125	30/120cd	213	245	175	235	163	235		

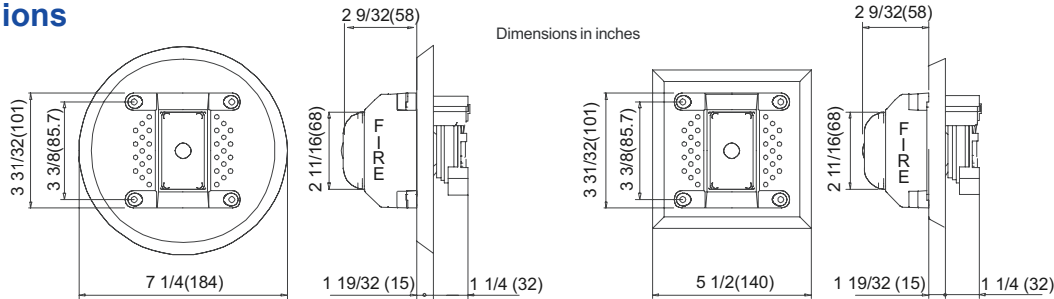
In-Rush Current (mA) 24 volt models							
		16.2V		24V		26.4V	
Candela	DC	FWR	DC	FWR	DC	FWR	
15/75cd	232	260	248	280	256	288	
30/120cd	236	267	252	350	260	293	

The SFH47-153075 series speaker/strobe is listed for indoor use with a temperature operating range of 32°F ~ 120°F (0°C ~ 49°C).

Speaker Specifications

Rated Input Voltage (V r.m.s.)	25V r.m.s				70.7V r.m.s.			
Input Power (watts)	¼W	½W	1W	2W	¼W	½W	1W	2W
Impedance (ohms)	2.5K	1250	620	310	20K	10K	5K	2.5K
Sound Pressure Level (dB/10ft)	75	78	81	84	75	78	81	84
Frequency Response (Hz)	400 ~ 4000							
Low Frequency Cutoff (hz)	200							
Operating Temperature Range	32°F ~ 120°F (0°C ~ 49°C)							

Dimensions



Ordering Information

Model Number	Speaker Voltage (Vrms)	Strobe Voltage (VDC)	Selectable Power Taps (Watts)	SDM-240 Sync Module	Flash Rate Per/Min	Strobe Candela	Grill Type	Grill Color
SFH47-153075R-25S	25	24	2, 4, 8	Yes	60	15/75 or 30/120	Square	Red
SFH47-153075W-25S	25	24	2, 4, 8	Yes	60	15/75 or 30/120	Square	White
SFH47-153075R-25R	25	24	2, 4, 8	Yes	60	15/75 or 30/120	Round	Red
SFH47-153075W-25R	25	24	2, 4, 8	Yes	60	15/75 or 30/120	Round	White
SFH47-153075R-70S	70.7	24	2, 4, 8	Yes	60	15/75 or 30/120	Square	Red
SFH47-153075W-70S	70.7	24	2, 4, 8	Yes	60	15/75 or 30/120	Square	White
SFH47-153075R-70R	70.7	24	2, 4, 8	Yes	60	15/75 or 30/120	Round	Red
SFH47-153075W-70R	70.7	24	2, 4, 8	Yes	60	15/75 or 30/120	Round	White

NOT TO BE USED FOR INSTALLATION PURPOSES.



Canada

25 Interchange Way
Vaughan, Ontario L4K 5W3
Telephone: (905) 660-4655
Fax: (905) 660-4113

U.S.A.

4575 Witmer Industrial Estates
Niagara Falls, NY 14305
Toll Free: (888) 660-4655
Fax Toll Free: (888) 660-4113

Distributed by:

Web page: <http://www.mircom.com> Email: mail@mircom.com



CAT-5231
Rev. 5