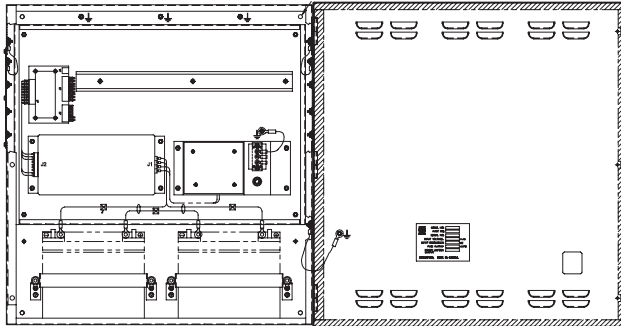


PRO-2000 Auxiliary Power Supply



Features

- Rugged enclosure in 18 gauge steel
- Voltage input 115 VAC or 220 VAC
- Fuse protected on AC line and battery
- Built-in transient protection
- Up to 125 Watts total output power
- 3 output voltages: 28 VDC, 5 VDC, 28 VDC for battery charger
- Built-in local ground fault detection for easier maintenance and troubleshooting
- Built-in Ground Fault Detection with dry contact for output signaling
- Built-in AC fault detection with dry contact for output signaling
- Built-in DC fault detection with dry contact for faults detection
- Built-in isolated switching power supply for increased power efficiency
- Battery charger with voltage regulator and current limit
- Up to 2.2 A current output for battery charger
- Space in the enclosure for two 12 V batteries of 17 AH each
- Removable connectors for easy servicing

Description

The Auxiliary Power Supply is suitable for applications where it is necessary to have a battery backup in case of loss of main power supply. The input voltage is 115V, 60Hz or there is a second version which sustains an input voltage of 220V, 50Hz. The Power Supply Module operates in conjunction with the Transformer Bracket Assembly and the transformer input is protected by a 2A fuse (1A for 220 VAC service).

The output provides 28VDC with a current of up to 4.7A. A fraction of this current is up to 2.2A is used to charge two 12V batteries. All outputs are protected against over-current and over-voltage conditions. The battery charger is protected against reverse polarity connection.

Three signals are provided to monitor the Power Supply Module operation,. They are as follows:

- The "AC Fault" signal is activated when the AC input voltage at the Power Supply input terminal falls below 12VAC. The information is sent via a dry contact.

- The "DC Fault" signal is activated when they battery voltage falls below 22.6VDC. The information is sent via a dry contact.
- The "GND Fault" signal is activated of a condition of GND fault is detected. The information is sent via a dry contact.

Each dry contact can be used in the "normally open" or "normally closed" positions. Signals to monitor the Power Supply are provided by the fault detection module.



S7010



S7010

USCG

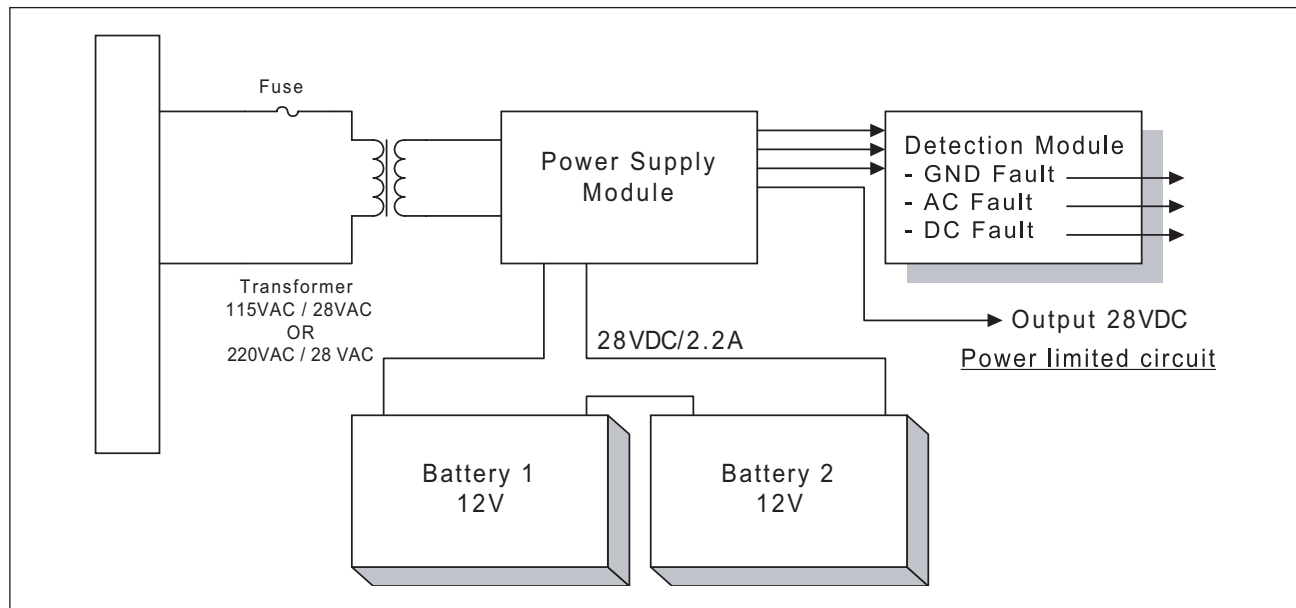
161.002/41/1

ABS

05-MO602743-X

CCG
Accepted

Typical Wiring Diagram



Power Supply Specifications

Electrical Specifications	
Input Voltage Range	110VAC, 60Hz or 220VAC, 50Hz
Fuse Protection	2A for 115VAC 1A for 220VAC
Output Transformer	
Voltage	25 VAC
Maximum Current	5 Amps
Input Power Supply Module	
Voltage Range	20 - 30 VAC
Frequency	50/60 VAC
Total Power Supply Module Output (Output1 + Output2 + Battery Charger)	125 W
Output 1	
Operating Voltage	28.5 ± 0.3 VDC
Current Limit	4.7 Amps ± 10%
Ripple and Noise (full load)	50 mV peak-to-peak max.
Temperature Drift Coefficient	Change in output voltage 0.03%/ 60°C max.

Output 2	
Operating Voltage	5.0V ± 0.1V
Current Limit	3.0 ± 0.3 Amps
Ripple and Noise (Full load)	20 mV peak-to-peak max.
Temperature Drift Coefficient	Change in output voltage 0.03%/ °C max.
Battery Charger (Constant Voltage, Current Limited Type)	
Operating Voltage	27.3 VDC
Current Limit	2.2 Amps
Battery Protection	Automatic battery disconnect at 19.5V
Fuse Protection	5 Amps
Fault Signals (Dry Contacts)	
AC Fault - Relay	0.5 A, 30 VDC
DC Fault - Relay	0.5 A, 30 VDC
GND Fault - Relay	1 A, 30 VDC
Environmental	
Storage Temperature	-40°C - 60°C (-40°F - 140°F)
Physical Specifications	
24.4" H x 23.5" W x 7.25" D (610 mm x 587 mm x 181 mm)	

Ordering Information

Model Number	Description
APS-15291-00	PRO-2000 Auxiliary Power Supply, 220V, 42AH, UL
APS-15291-01	PRO-2000 Auxiliary Power Supply, 110V, 42AH, Marine
APS-15291-02	PRO-2000 Auxiliary Power Supply, 110V, 42AH, UL
APS-15291-03	PRO-2000 Auxiliary Power Supply, 220V, 42AH, Marine
APS-15291-04	PRO-2000 Auxiliary Power Supply, 110V, 42AH, ULC
APS-15291-05	PRO-2000 Auxiliary Power Supply, 220V, 42AH, ULC