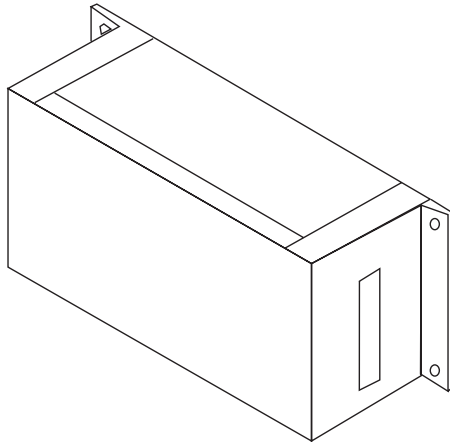


PRO-2000

Power Supply Module & Transformer Bracket



Description

The Power Supply for the PRO-2000 has two assemblies; the Transformer Bracket and the Power Supply Module. The Transformer Bracket supplies the 20-30 VAC and is available in 115 VAC or 220 VAC configurations. The Power Supply Module requires an input of 20-30 VAC.

The Transformer Bracket Assembly is protected at the input stage by a 2 Amp fuse (1 Amp for 220 VAC service).

The Power Supply Module provides 28 VDC to the control unit microprocessor and logic circuits, as well as charging and monitoring circuits for the 24 VDC batteries.

The Power Supply Module is protected against over-current and over-voltage conditions. The battery charging circuit is protected against reverse battery connection.

Two (2) signals are provided by the Power Supply, for use by the Main Processing Unit, to monitor the power supply operation:

'AC Fault': When AC input voltage (at the Power Supply Module terminals) falls below 12 VAC, the Power Supply Module sends a logic signal to the Main Processing Unit.

'DC Fault': When the battery voltage falls below 22.6 VDC, the Power Supply Module sends a logic signal to the Main Processing Unit.

Features

- 125 watts total output power
- Convection cooled, no fans or blowers
- 28 VDC regulated output, up to 4.7 ± 10% Amps
- 'AC Fault', 'DC Fault' signals provided
- Plug and socket terminations for ease of installation and maintenance
- Battery charger, current limited to 2.2 Amps
- Battery test input
- 80% minimum efficiency at full load
- Over-voltage and over-current protection
- Fuse protected on AC line and Battery back-up
- Built-in transient protection
- Transformer bracket available in 115 VAC & 220 VAC configurations

Power Supply Specifications

Electrical Specifications	
Input Voltage	115 VAC
Frequency	50/60 Hz
Total Supply Output Power (Output 1 + Battery Charger)	125 W Max.
Output 1	
Operating Voltage	28.5 ± 0.3 VDC
Current Limit	4.7 Amps ± 10%
Ripple and Noise (full load)	50 mV peak-to-peak max.
Battery Charger (Constant Voltage, Current Limited Type)	
Operating Voltage	27.3 VDC
Current Limit	2.2 Amps
Battery Protection	Automatic battery disconnect at 19.5V to prevent against complete discharge
Fuse Protection	5 Amps
Fault Signals (For Connection to Main Processing Unit)	
AC Fault	Open collector transistor
DC Fault	Open collector transistor
Physical Specifications	
Length	4.5" (114.3 mm)
Width	10.3" (261.6 mm)
Depth	2.9" (73.7 mm)



S7010



S7010

USCG

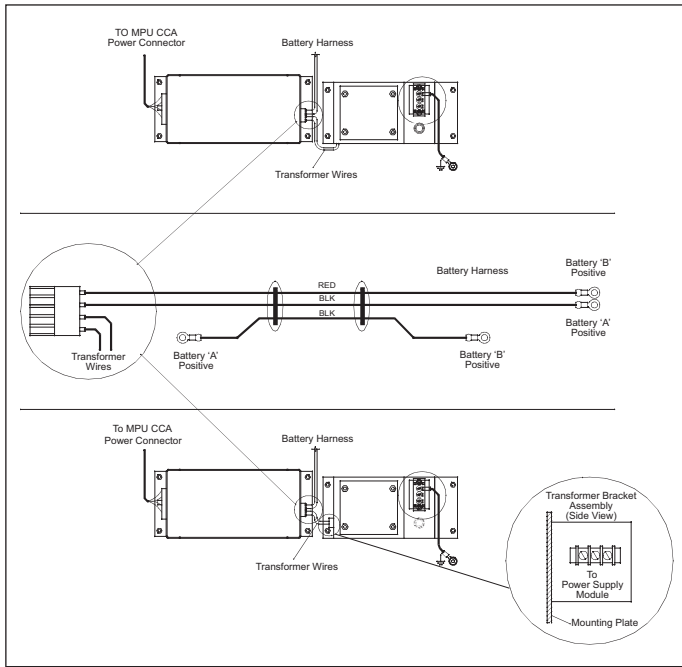
161.002/41/1

ABS

05-MO602743-X

CCG
Accepted

Typical Wiring Diagram

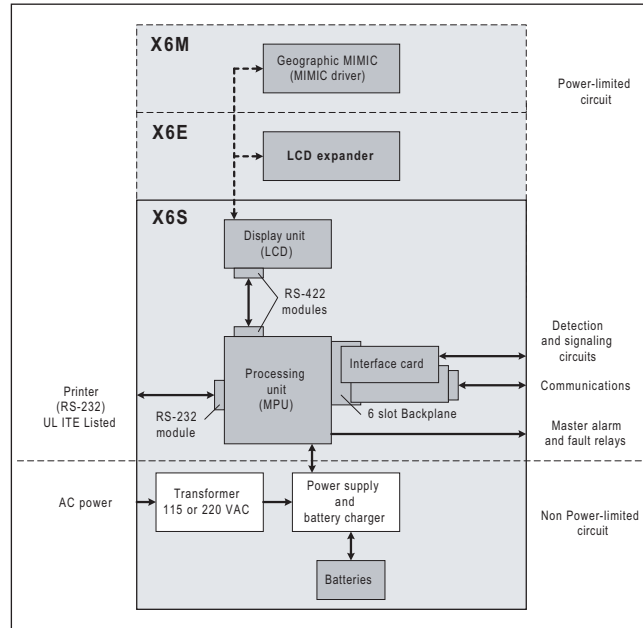
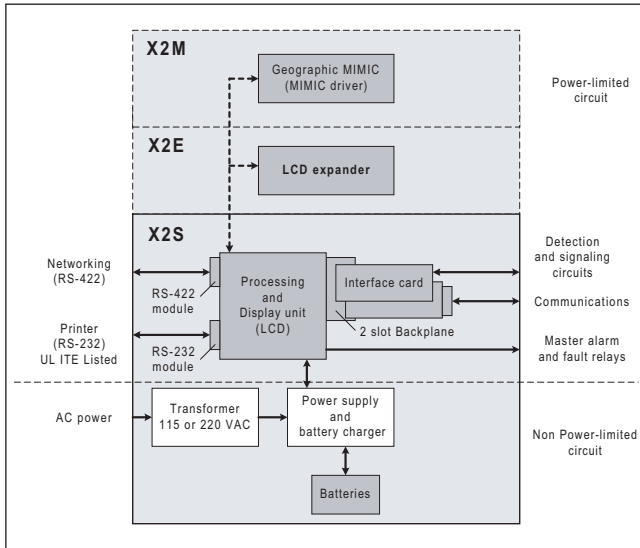


Transformer Bracket Specifications

Electrical Specifications	
Input Voltage	120 VAC (220 VAC, optional)
Frequency	60/50 Hz
Fuse protection	2 Amps (120 VAC) 1 Amp (220 VAC)
Output Voltage	25 VAC
Maximum Current	5 Amps
Physical Specifications	
Length	4.0" (101.6 mm)
Width	8.9" (226 mm)
Depth	3.4" (86 mm)

Power Supply Connected to an X2 Type Panel

Power Supply Connected to an X6 Type Panel



Ordering Information

Model Number	Description
PSA-07250-01	PRO-2000 25VAC-28VDC Power Supply, UL/ULC
PSA-07250-03	PRO-2000 25VAC-28VDC Power Supply, Marine
CAS-08094-00	PRO-2000 Transformer Bracket Assembly, 110V, UL/Marine
CAS-08094-01	PRO-2000 Transformer Bracket Assembly, 110V, ULC
CAS-08095-00	PRO-2000 Transformer Bracket Assembly, 220V, UL/Marine
CAS-08095-01	PRO-2000 Transformer Bracket Assembly, 220V, ULC