

## STROBE COVERS



STI-1221E



STI-1225

### Description

The Strobe Covers are super-tough covers to protect strobe signal units against vandalism and damage of fire protection systems. These virtually indestructible covers are designed to stop vandalism and accidental damage. Molded of clear, thick, UV-stabilized polycarbonate material, they are backed by a lifetime guarantee against breakage in normal use.

The 1221E Strobe Cover unit is equipped with an open back frame for flush-mount applications. The 1225 is a strobe protective cover for flush mount applications. Please refer to Specifications chart for compatible strobes and light loss information.

### Features

- Helps prevent accidental and intentional damage or vandalism
- Lifetime guarantee against breakage in normal use
- UV-stabilized against discoloration
- Polycarbonate tested -40°F (-40°C) to 120°F (49°C)
- Easy access for service

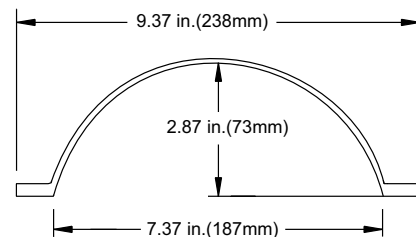
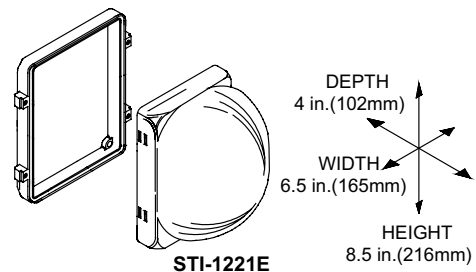
### 1221E Specifications

Manufacturer	Light Loss
Mircom	26%
Amseco	26%
Gentex	21%
System Sensor	37%

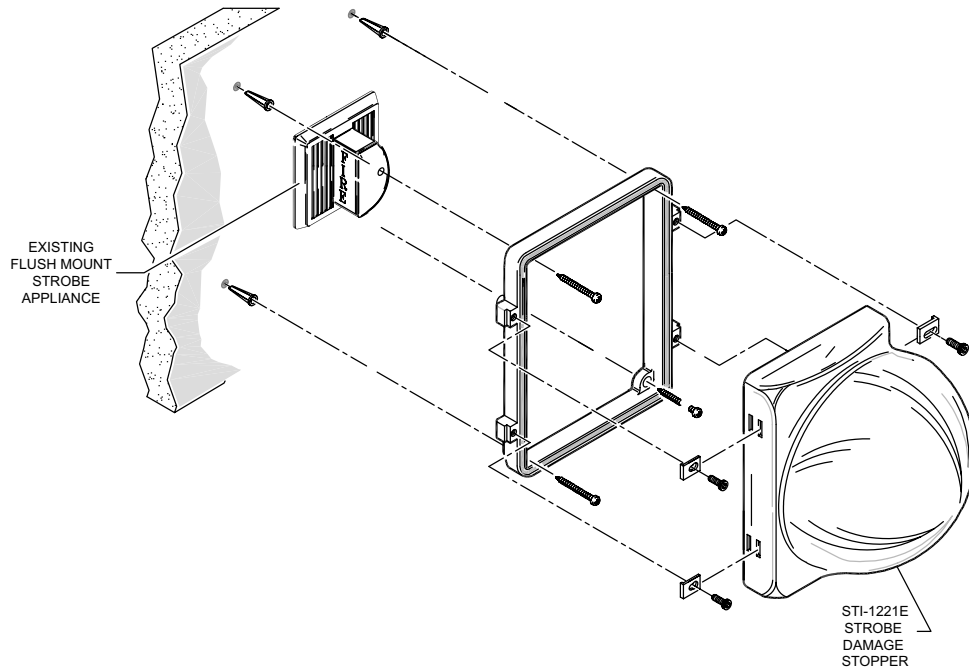
### 1225 Specifications

Manufacturer	Series	Light Loss
Mircom	FS/FHS Series	36.6%
Amseco	SHW/HW/SLW Series	36.6%
Gentex	Commander Series	36.6%
System Sensor	SpectrAlert Series	35.5%

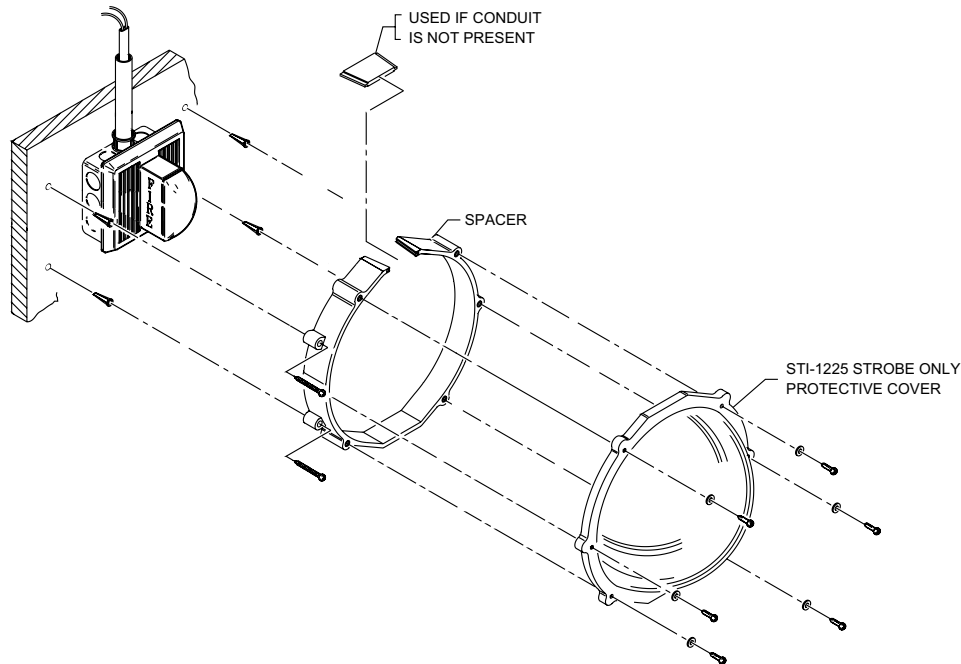
### Dimensions



## STI-1221E Mounting Diagram



## STI-1225 Mounting Diagram



### Ordering Information

Model	Description
STI-1221E	Strobe Damage Stopper for flush mount applications with open backbox
STI-1225	Strobe Protective Cover for flush mount applications

NOT TO BE USED FOR INSTALLATION PURPOSES.



#### Canada

25 Interchange Way  
Vaughan, Ontario L4K 5W3  
Telephone: (905) 660-4655  
Fax: (905) 660-4113

#### U.S.A.

4575 Witmer Industrial Estates  
Niagara Falls, NY 14305  
Toll Free: (888) 660-4655  
Fax Toll Free: (888) 660-4113

Web page: <http://www.mircom.com> Email: [mail@mircom.com](mailto:mail@mircom.com)

Distributed by:

ISO 9001:2000  
REGISTERED



CAT. 5309  
Rev. 2