

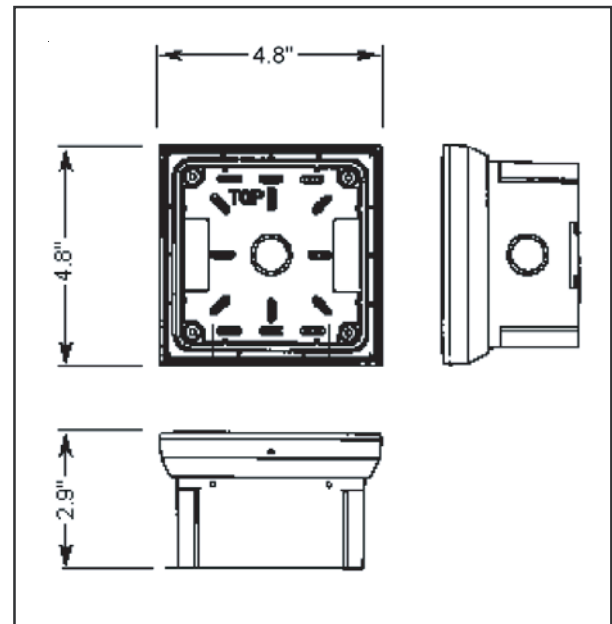
### Features

- 1/2" Conduit Knockouts
- Wall Tabs for Surface Mounting
- Reinforcement Metal Bracket for Conduit Connection
- Red Textured Plastic Finish
- Mounting Hardware Included

### WGBB Weatherproof Backbox

The WGBB Back Box is constructed of durable plastic and will accommodate most of the GE Series and ST/HS series 4" signals including the WGMS Weatherproof Series. This Back Box can also be used as a surface box.

### Dimensions



CATALOG NUMBER **5305**

NOT TO BE USED FOR INSTALLATION PURPOSES.

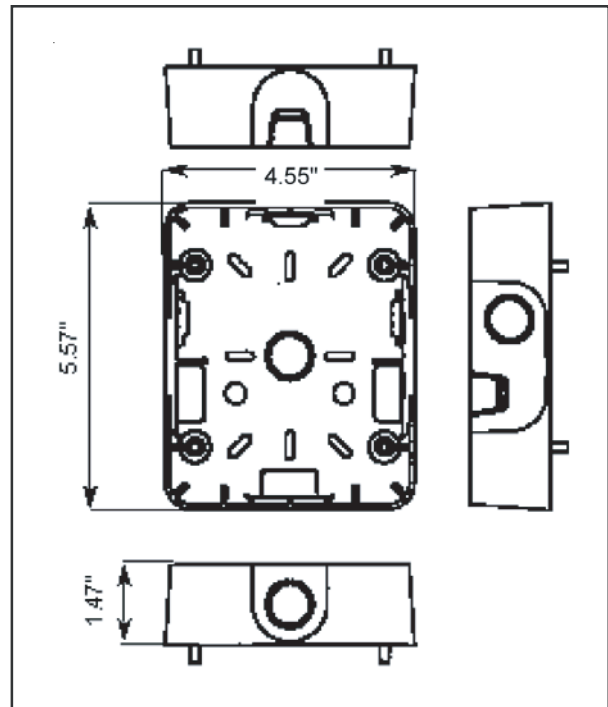
Mircom reserves the right to make changes at any time without notice in prices, colours, materials, components, equipment, specifications and models and also to discontinue models.



## Features

- 1/2" Conduit Knockouts with Metal Washer Reinforcement
- Wiremold Knockouts
- Red or Off-White Textured Plastic Finish
- Clean Look, all Screw Heads Hidden
- Easy to Install

## Dimensions



## GSB Surface Backbox

The GSB surface back box is constructed of durable plastic and is fully compatible with the Commander<sup>1</sup> (ST/HS) and Commander<sup>2</sup> (GE) Series.

## Ordering Information

Model	Description
WGBB	Weatherproof Backbox
GSB	Surface Backbox

NOT TO BE USED FOR INSTALLATION PURPOSES.



**Canada**  
 25 Interchange Way  
 Vaughan, Ontario L4K 5W3  
 Telephone: (905) 660-4655  
 Fax: (905) 660-4113

**U.S.A.**  
 4575 Witmer Industrial Estates  
 Niagara Falls, NY 14305  
 Toll Free: (888) 660-4655  
 Fax Toll Free: (888) 660-4113

Web page: <http://www.mircom.com> Email: [mail@mircom.com](mailto:mail@mircom.com)

Distributed by:



CAT. 5305  
 Rev. 4