



Features

- Powerful, 120 dB siren draws attention in a hurry
- Molded of super-tough polycarbonate material
- UL and Canadian UL Listing for indoor use (49G2)
- Spacer available for pull stations with surface mounted conduit
- Gaskets available for harsh environments
- Protects against false fire alarms for smaller pull stations
- Available in Red, Blue, Green and Yellow with custom labeling
- Lifetime warranty against breakage of polycarbonate components in normal use
- One year warranty on electronics

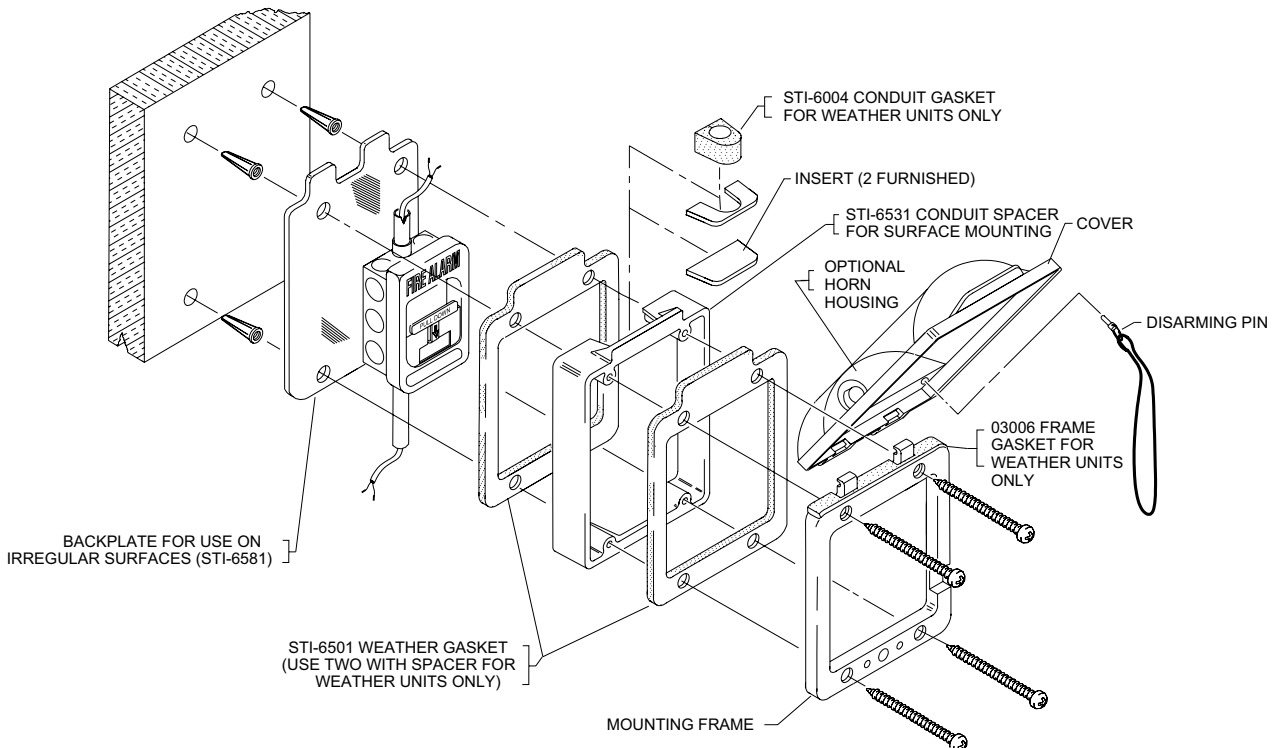
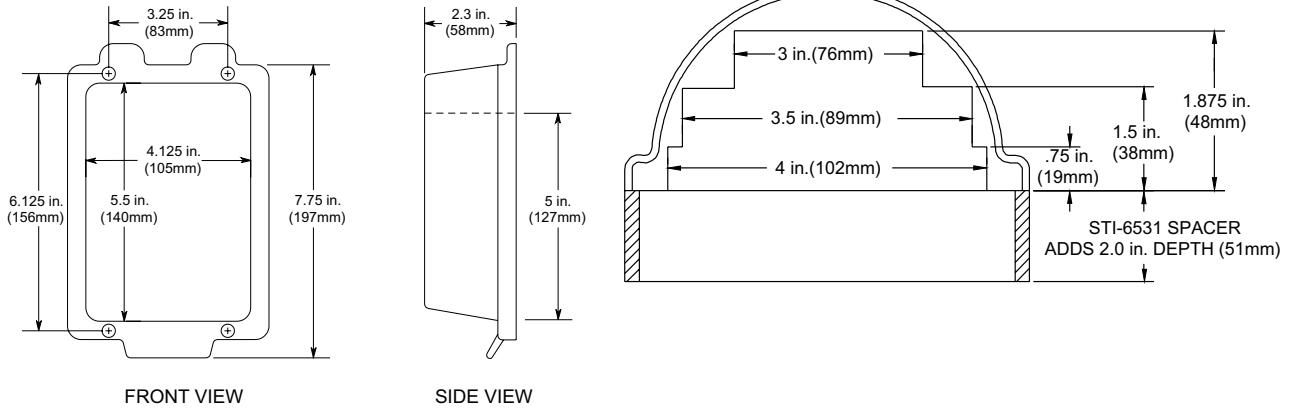
Description

The Mini Stopper II is the smaller cousin of the famed Stopper II which is designed to protect smaller size manual pull stations against vandalism and false fire alarms. Like the original Stopper II, it consists of a tamper-proof, clear polycarbonate shield and frame that fits easily over pull stations up to 4 1/8" wide x 4 3/4" high x 1 1/2" deep (5 1/2" high without horn). When lifted to gain access to the actual alarm, it sounds a piercing 120 dB warning horn. Immediate attention is drawn to the pull station and a prankster will either run or be caught. Legitimate alarms can still be pulled. Available with or without warning horn.

The Mini Stopper II is intended to be used in areas where the incidence of false fire alarms from manual pull stations is high or has proven to be a serious problem. Any disadvantage of this device is more than balanced when one considers the consequences of false fire alarms, especially if fire service personnel and equipment are responding to a false fire alarm when they are needed for a real fire somewhere else. Add to this the disruption to the facility when false alarms occur. If you have, or may have, a problem with false fire alarms or physical/weather damage to your fire alarm activation devices, the Mini Stopper II could prove invaluable.



Dimensions and Mounting Instructions



Ordering Information

Model	Description
STI 6500	Without horn for flush mounting
STI 6505	Without horn, shipped with spacer for surface mounting
STI 6525	Weather resistant version of the STI 6500 for flush mount applications
STI 6535	Weather resistant version of the STI 6505. Includes all necessary gaskets & a conduit spacer
STI 6600	With horn for flush mounting
STI 6605	With horn and spacer for surface mounting

NOT TO BE USED FOR INSTALLATION PURPOSES.



Canada

25 Interchange Way
Vaughan, Ontario L4K 5W3
Telephone: (905) 660-4655
Fax: (905) 660-4113

U.S.A.

4575 Witmer Industrial Estates
Niagara Falls, NY 14305
Toll Free: (888) 660-4655
Fax Toll Free: (888) 660-4113

Web page: <http://www.mircom.com> Email: mail@mircom.com

Distributed by:



CAT. 5302
Rev. 4